

ARBUS 1500

English version

EDITION - 06/2007

CODE - 979130

Parts catalog



MÁQUINAS AGRÍCOLAS JACTO S.A.

Rua Dr. Luiz Miranda, 1650

17580-000 - Pompéia - SP - Brasil

Tel.: +55 14 3405-2100 - Fax: +55 14 3452 1306

E-mail: export@jacto.com.br

Home page: <http://www.jacto.com.br>

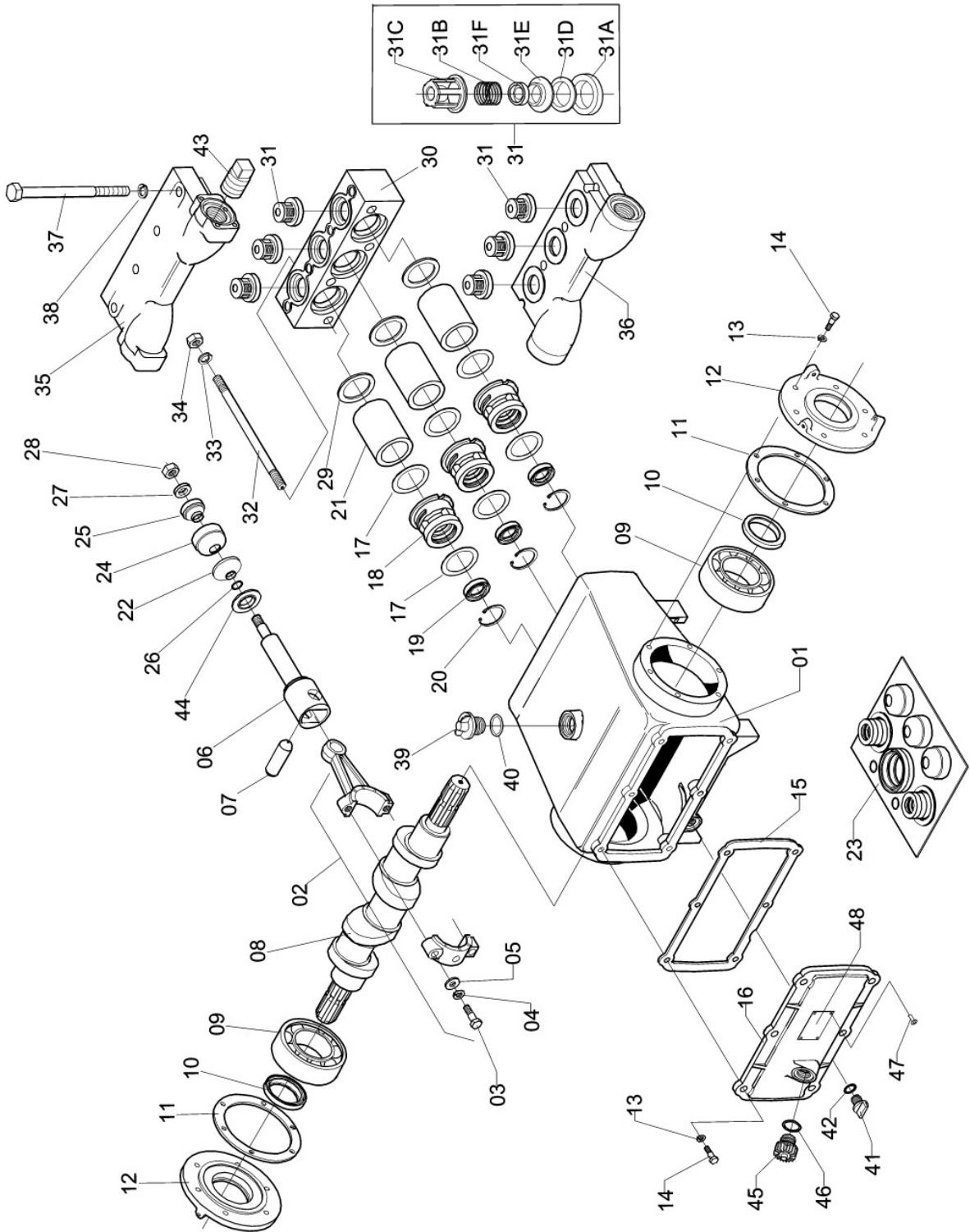
ARBUS 1500

| EQUIPMENT | PAGE |
|-------------------------|------|
| ARBUS 1500 DIAMOND..... | 4 |

ARBUS 1500 DIAMOND (CODE: 672246)

| ENTIRE ASSEMBLIES | PAGE |
|---|------|
| 150-L/MIN PISTON PUMP | 6 |
| 3-WAY VALVE - MODEL B | 38 |
| ACCESSORIES BOX "A-1500 DIAMOND" | 27 |
| ADJUSTABLE AXLE N° 13 | 44 |
| APPLICATION ASSEMBLY | 10 |
| CABLE-OPERATED DIRECTIONAL VALVE | 14 |
| CABLE ASSEMBLY | 41 |
| CABLE DIRECTIONAL VALVE (0-1000 PSI) | 16 |
| CHEMICAL CIRCUIT | 12 |
| CHEMICAL CONTAINER RINSE NOZZLE KIT | 39 |
| CHEMICAL CONTAINER RINSE NOZZLE ROD | 5 |
| CHEMICALS MIXER NONRETURN VALVE | 37 |
| CONE NOZZLE J4-2 | 45 |
| DIRECTIONAL VALVE | 32 |
| FLEXIBLE COUPLING 10 | 28 |
| GEARBOX ASSEMBLY | 24 |
| JACK NO. 10 | 29 |
| MECHANICAL AGITATOR 2005 - 02 | 30 |
| MECHANICAL TRANSMISSION | 35 |
| NOZZLE HOLDER | 22 |
| PLATFORM | 42 |
| PTO SHAFT 1420 | 26 |
| REAR BUMPER ASSEMBLY | 33 |
| RINSE NOZZLE | 46 |
| SPRAY CONTROL ACTUATOR | 40 |
| STICKER: "ARBUS 1500 DIAMOND" | 20 |
| SUCTION FILTER WITH VALVE 200 L/MIN | 31 |
| TANKS ASSEMBLY - 1500 L / 150L / 15L | 18 |
| TIGHTENING PULLEY ASSEMBLY 78 (SHAFT Ø 15 X 50,5) | 36 |
| TRAILER ASSEMBLY | 8 |
| TRAILER FOR 1500-LITER TANK WITH ADJUSTABLE AXLE 13 | 23 |
| TRAILER HITCH | 43 |
| WIDE ANGLE CV PTO SHAFT | 25 |
| | |

150-L/MIN PISTON PUMP

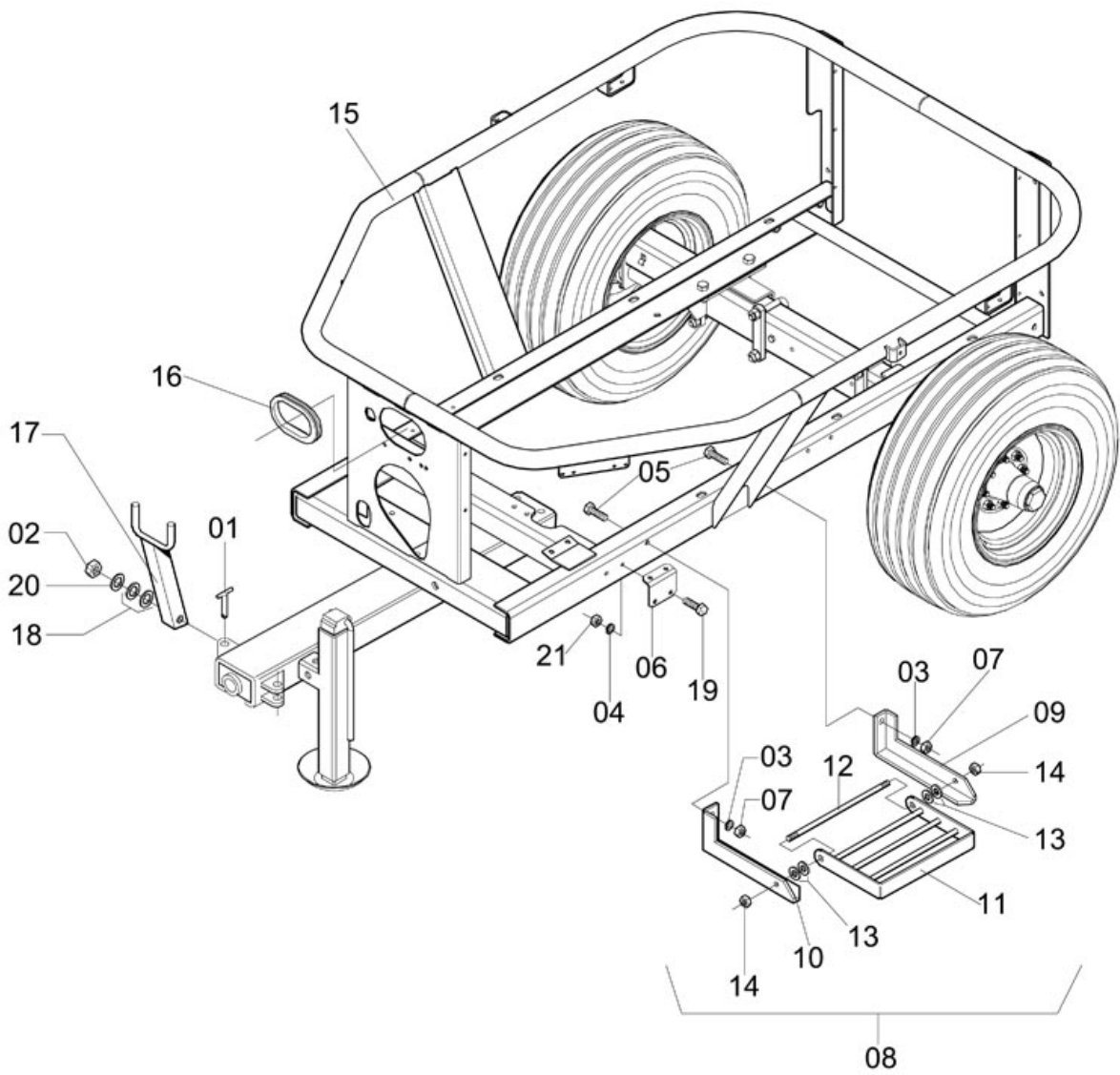


150-L/MIN PISTON PUMP

Continuation

| Item | CODE | DESCRIPTION | Qty. | Item | CODE | DESCRIPTION | Qty. |
|------|--------|---|------|------|------|-------------|------|
| 00 | 444877 | 150-L/min piston pump | 1 | | | | |
| 01 | 322669 | Pump body | 1 | | | | |
| 02 | 038778 | Connecting rod assembly | 3 | | | | |
| 03 | 917492 | Hex. bolt \varnothing 3/8" - 16 UNC x 2" | 6 | | | | |
| 04 | 908566 | Lock washer \varnothing 3/8" | 6 | | | | |
| 05 | 624130 | Flat washer 105 x 180 x 16 | 6 | | | | |
| 06 | 322933 | Guide with rode | 3 | | | | |
| 07 | 322909 | Connecting rod shaft | 3 | | | | |
| 08 | 245282 | Crankshaft | 1 | | | | |
| 09 | 325506 | Bearing 6310 | 2 | | | | |
| 10 | 323170 | Retainer 01920 | 2 | | | | |
| 11 | 322883 | Packing 110 x 145 x 0.4 | 2 | | | | |
| 12 | 322610 | Bearing flange | 2 | | | | |
| 13 | 519736 | Lock washer M8 | 18 | | | | |
| 14 | 663153 | Hex. bolt 5/16" - 18 UNC x 3/4" | 18 | | | | |
| 15 | 322834 | Packing 132 x 262 x 1.59 | 1 | | | | |
| 16 | 322776 | Pump cover | 1 | | | | |
| 17 | 322867 | Packing | 6 | | | | |
| 18 | 322826 | Sleeve guide | 3 | | | | |
| 19 | 323188 | Retainer 72 | 3 | | | | |
| 20 | 916775 | Snap ring for hole \varnothing 40 | 3 | | | | |
| 21 | 322925 | Sleeve (alumina) | 3 | | | | |
| 22 | 323147 | Piston cup base | 3 | | | | |
| 23 | 427930 | Repair kit | 1 | | | | |
| 24 | 323139 | Piston cup | 3 | | | | |
| 25 | 323154 | Piston | 3 | | | | |
| 26 | 120071 | O-ring ORI - 015 | 3 | | | | |
| 27 | 325076 | Flat washer 132 x 258 x 30.4 | 3 | | | | |
| 28 | 324178 | Nut \varnothing 1/4" - 20 UNF | 3 | | | | |
| 29 | 322875 | Seal washer | 3 | | | | |
| 30 | 322735 | Pump head | 1 | | | | |
| 31 | 587378 | Pump valve 24 "D" | 6 | | | | |
| 31A | 323014 | Packing ring \varnothing 47 x 35,5 x 9 | 6 | | | | |
| 31B | 587360 | Stainless compressing spring | 6 | | | | |
| 31C | 587212 | Cage | 6 | | | | |
| 31D | 323006 | Valve ring | 6 | | | | |
| 31E | 323022 | Valve seat | 6 | | | | |
| 31F | 323030 | Disk | 6 | | | | |
| 32 | 322891 | Stud bolt \varnothing 5/8" - 11 UNC x 240 - stainless steel | 4 | | | | |
| 33 | 764142 | Lock washer M16 | 4 | | | | |
| 34 | 916734 | Hex. nut 5/8" - 11 UNC | 4 | | | | |
| 35 | 044487 | Valves cover | 1 | | | | |
| 36 | 328799 | Valves cover (suction) | 1 | | | | |
| 37 | 429258 | Screw \varnothing 1/2" - 13 UNC x 3" - stainless steel | 1 | | | | |
| 38 | 908582 | Lock washer 1/2" | 8 | | | | |
| 39 | 328542 | Plug \varnothing 3/4" BSP | 1 | | | | |
| 40 | 012724 | O-ring ORI-119 | 1 | | | | |
| 41 | 520775 | Drain plug 1/4" BSP | 1 | | | | |
| 42 | 325290 | O-ring OR1-112 | 1 | | | | |
| 43 | 427948 | Plug \varnothing 1.1/2" BSP | 2 | | | | |
| 44 | 322842 | Scraper ring | 3 | | | | |
| 45 | 213736 | Plug 1/2" BSP | 1 | | | | |
| 46 | 210146 | O-ring OR1-117 | 1 | | | | |
| 47 | 322941 | Identification plate | 1 | | | | |
| 48 | 109587 | Round head rivet | 4 | | | | |
| | 824201 | Lubricating oil - Texaco | 4 | | | | |
| | 959957 | Sticker: "Keep oil on level" | 1 | | | | |

TRAILER ASSEMBLY

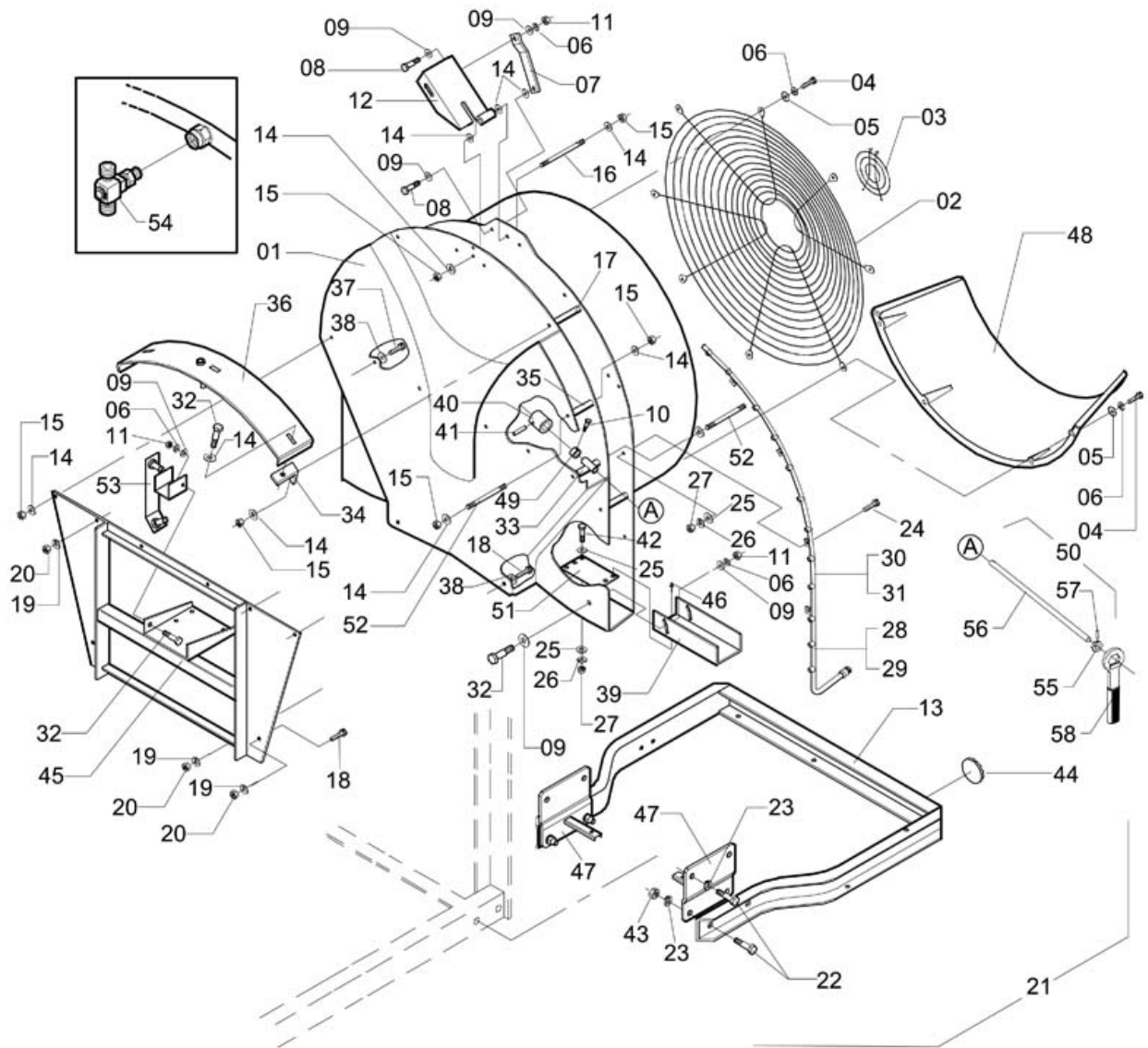


TRAILER ASSEMBLY

Continuation

| Item | CODE | DESCRIPTION | Qty. | Item | CODE | DESCRIPTION | Qty. |
|------|--------|---|------|------|------|-------------|------|
| 00 | 434431 | Trailer assembly | 1 | | | | |
| 01 | 118190 | Chain fastening pin | 1 | | | | |
| 02 | 202663 | Hex. nut 1/2" - 13 UNC | 1 | | | | |
| 03 | 209163 | Lock washer M12 | 2 | | | | |
| 04 | 209395 | Lock washer M10 | 2 | | | | |
| 05 | 280925 | Hex. head bolt M12 x 35 x 1,50 | 2 | | | | |
| 06 | 368225 | Suction filter support | 1 | | | | |
| 07 | 427013 | Nut ABTN - 1020 thread M12 x 1,50 | 2 | | | | |
| 08 | 434472 | Platform | 1 | | | | |
| 09 | 434480 | Right support | 1 | | | | |
| 10 | 434498 | Left support | 1 | | | | |
| 11 | 434506 | Platform base | 1 | | | | |
| 12 | 434530 | Stud bolt 3/8" - 16 UNC x 500 | 1 | | | | |
| 13 | 623884 | Flat washer 105 x 210 x 20 | 4 | | | | |
| 14 | 912774 | Hex. nut 3/8" - 16 UNC | 2 | | | | |
| 15 | 434613 | Trailer for 1500-liter tank with adjustable axle 13 | 1 | | | | |
| 16 | 437970 | Packing | 1 | | | | |
| 17 | 556704 | PTO shaft support | 1 | | | | |
| 18 | 715979 | Flat spring | 2 | | | | |
| 19 | 757559 | Hex. bolt M10 x 30 x 1.25 | 2 | | | | |
| 20 | 881243 | Flat washer 170 x 300 x 19 | 1 | | | | |
| 21 | 907030 | Hex. nut M10 x 1.25 | 2 | | | | |

APPLICATION ASSEMBLY



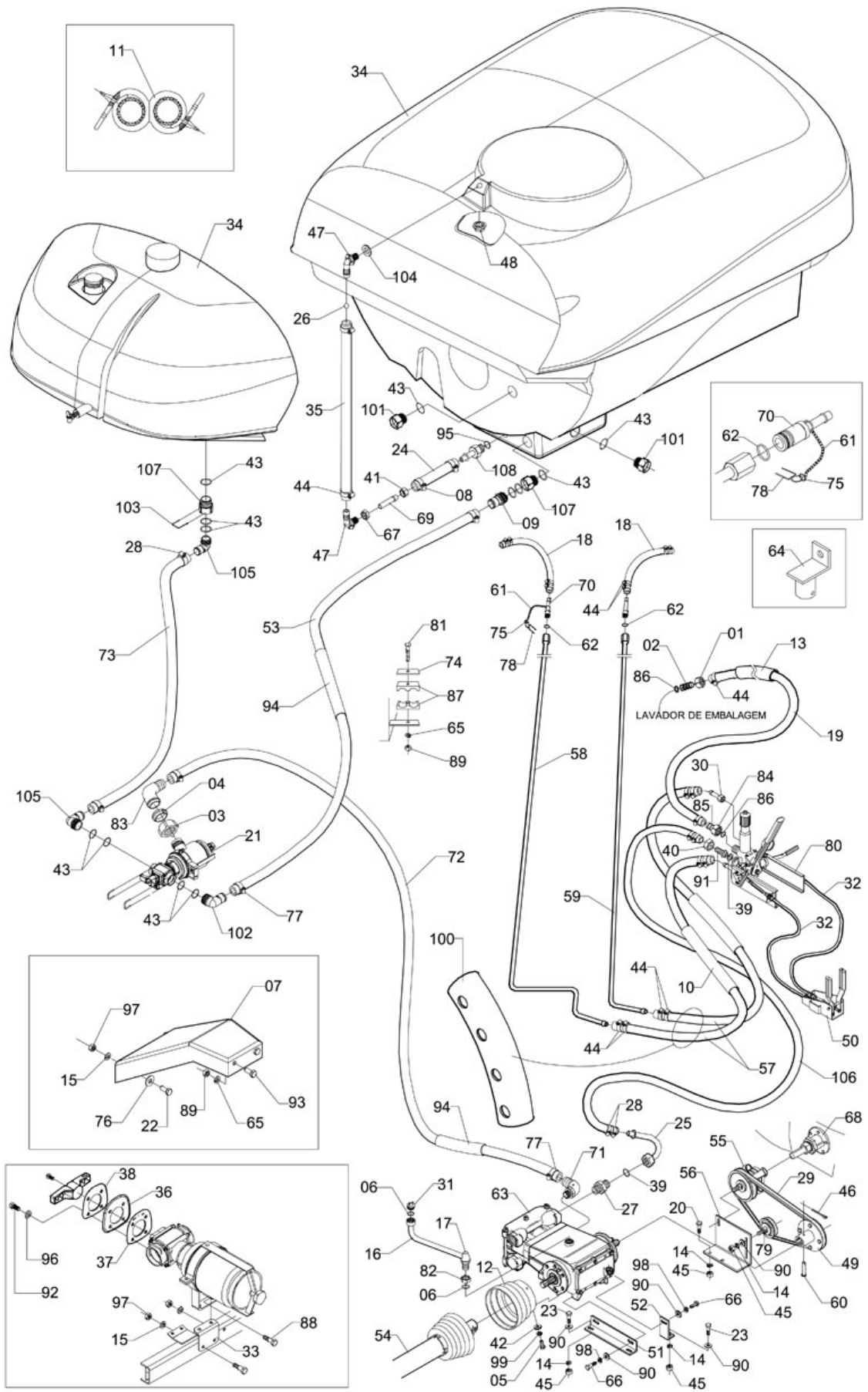
CA-189

APPLICATION ASSEMBLY

Continuation

| Item | CODE | DESCRIPTION | Qty. | Item | CODE | DESCRIPTION | Qty. |
|------|---------|--|------|------|--------|--|------|
| 00 | 080226 | Application assembly | 1 | | 379057 | Sticker: "Keep at a Distance - Fan" | 1 |
| 01 | 668004 | Deflector | 1 | | 379107 | Sticker: "Hydraulic Oil Level" | 1 |
| 02 | 430942 | Fan guard screen | 1 | | 389387 | Sticker: "Drain Indication" | 1 |
| 03 | 358465 | Fan lock guard | 1 | | 395061 | Sticker: "Lubrication Point Indication - | 1 |
| 04 | 817338 | Bolt \varnothing 5/16" - 18 UNC x 1.1/2" | 8 | | | | |
| 05 | 420281 | Flat washer 82 x 350 x 30 | 8 | | | | |
| 06 | 519736 | Lock washer M8 | 18 | | | | |
| 07 | 427971 | Support body | 2 | | | | |
| 08 | 829382 | Hex head bolt M8 x 25 x 1.25 | 7 | | | | |
| 09 | 013433 | Flat washer | 11 | | | | |
| 10 | 910794 | Hex. bolt 5/16" - 24 UNF x 5/8" | 1 | | | | |
| 11 | 221648 | Nut M8 x 1.25 - stainless steel | 7 | | | | |
| 12 | 820217 | Adjustable flap | 2 | | | | |
| 13 | 325258 | Rear bumper | 1 | | | | |
| 14 | 623884 | Flat washer 105 x 210 x 20 | 18 | | | | |
| 15 | 354464 | Nut parlock 3/8" - 16 UNC | 18 | | | | |
| 16 | 728444 | Stud bolt \varnothing 3/8" x 165 | 4 | | | | |
| 17 | 728410 | Spacer bushing 116 | 4 | | | | |
| 18 | 280925 | Hex. head bolt M12 x 35 x 1,50 | 2 | | | | |
| 19 | 209163 | Lock washer M12 | 8 | | | | |
| 20 | 427013 | Nut ABTN - 1020 thread M12 x 1,50 | 8 | | | | |
| 21 | 054320 | Rear bumper assembly | 1 | | | | |
| 22 | 984963 | Hex. bolt M16 x 50 x 1.50 | 8 | | | | |
| 23 | 764142 | Lock washer M16 | 8 | | | | |
| 24 | 295311 | Screw M6 x 25 x 1,00 (stainless) | 14 | | | | |
| 25 | 712554 | Flat washer 68 x 160 x 12.4 | 20 | | | | |
| 26 | 521666 | Lock washer M6 | 14 | | | | |
| 27 | 730309 | Hex. nut M6 x 1.00 - Steel | 14 | | | | |
| 28 | 080242 | Left nozzle branch assembly | 1 | | | | |
| 29 | 054262 | Left nozzle branch | 1 | | | | |
| 30 | 080234 | Right Nozzle Branch Assembly | 1 | | | | |
| 31 | 054106 | Right nozzle branch | 1 | | | | |
| 32 | 829341 | Hex. head bolt M8 x 16 x 1.25 | 3 | | | | |
| 33 | 559864 | Bearing | 1 | | | | |
| 34 | 435859 | Cover support | 3 | | | | |
| 35 | 019414 | Spacer bushing 87 | 3 | | | | |
| 36 | 435875 | Cover | 1 | | | | |
| 37 | 275396 | Hex. head bolt M12 x 50 x 1.50 - CL 8.8 | 6 | | | | |
| 38 | 818112 | Flat washer 130 x 240 x 30 | 6 | | | | |
| 39 | 667782 | Adjustable flap | 2 | | | | |
| 40 | 436055 | Bearing | 1 | | | | |
| 41 | 331553 | Flexible pin (heavy) | 2 | | | | |
| 42 | 817080 | Bolt 1/4" - 20 UNC x 1.1/4" | 6 | | | | |
| 43 | 742015 | Nut M16 x 1.50 | 4 | | | | |
| 44 | 097360 | Reflector | 2 | | | | |
| 45 | 435917 | Fan housing frame | 1 | | | | |
| 46 | 519769 | Rivet Pop - \varnothing 4.0 x 10.2 | 6 | | | | |
| 47 | 053983 | Bumper coupling | 2 | | | | |
| 48 | 054072 | Antidebris sheet | 1 | | | | |
| 49 | 436063 | Locking bushing | 1 | | | | |
| 50 | 1146460 | Lever's box multiplier | 1 | | | | |
| 51 | 667774 | Flap joint | 2 | | | | |
| 52 | 327866 | Stud bolt 3/8" - 16 UNC 145 | 4 | | | | |
| 53 | 740852 | Fitting support A | 1 | | | | |
| 54 | 340802 | Double nozzle holder | 24 | | | | |
| 55 | 1146463 | Positioner of Lever | 1 | | | | |
| 56 | 1146469 | Lever-Drive | 1 | | | | |
| 57 | 910802 | Flexible pin \varnothing 6 x 28 | 1 | | | | |
| 58 | 1147200 | Lever | 1 | | | | |
| | 379040 | Sticker: "Attention - Keep at a Distance" | 1 | | | | |

CHEMICAL CIRCUIT



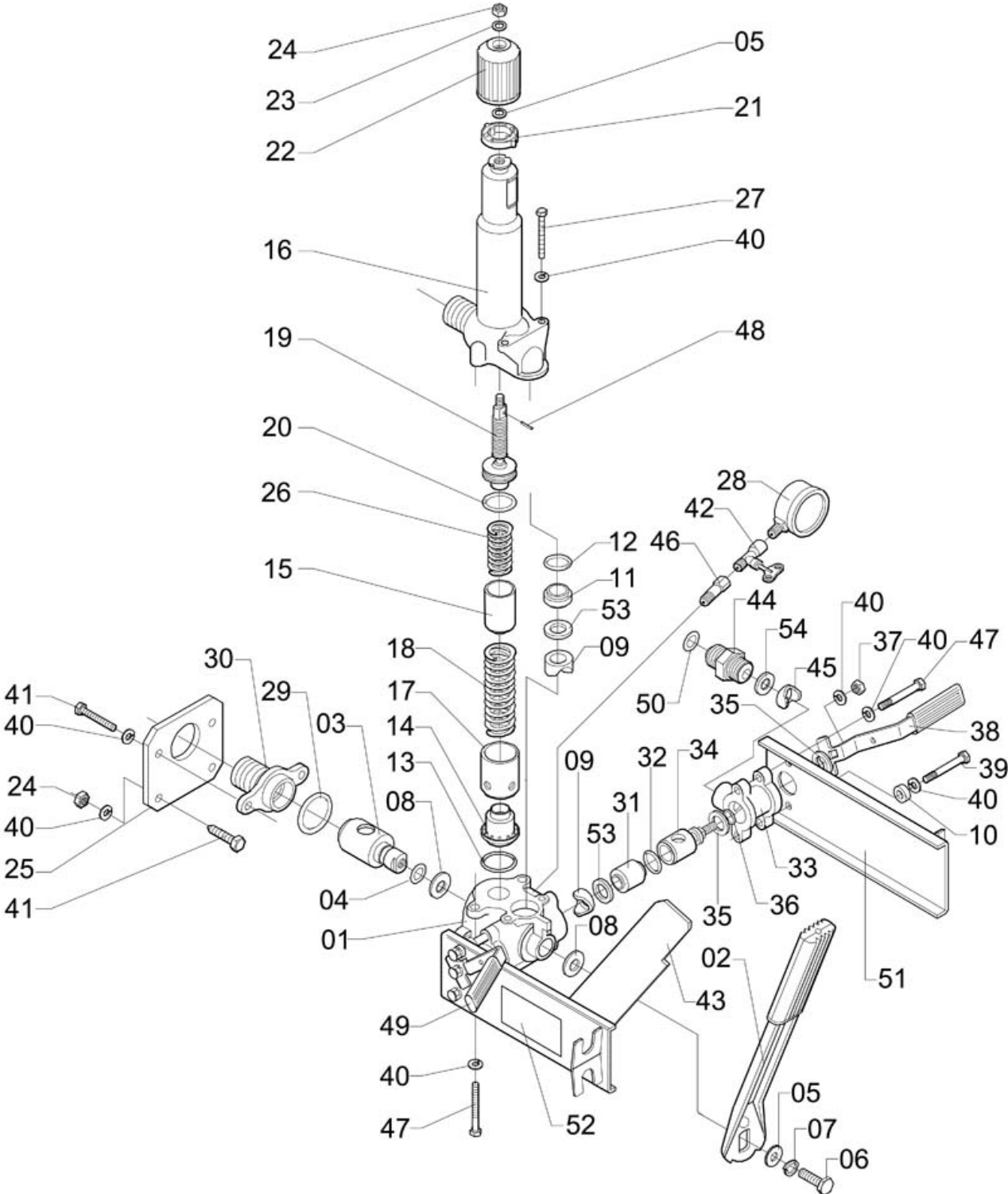
CD-466

CHEMICAL CIRCUIT

Continuation

| Item | CODE | DESCRIPTION | Qty. | Item | CODE | DESCRIPTION | Qty. |
|------|--------|---|------|------|--------|---|------|
| 00 | 374751 | Chemical circuit | 1 | 60 | 435487 | Pin ø 12 x 55 | 1 |
| 01 | 005884 | Nut 1.1/4" BSP | 1 | 61 | 437822 | Chain 120 mm | 2 |
| 02 | 005892 | Fitting 1.1/4" | 1 | 62 | 440982 | O-ring OR1-117 | 2 |
| 03 | 005900 | Coupling nut filter | 1 | 63 | 444877 | 150-L/min piston pump | 2 |
| 04 | 005918 | Locking ring | 1 | 64 | 457291 | Support | 2 |
| 05 | 007229 | Bolt 1/4" x 20 UNC x 3/4" | 3 | 65 | 519736 | Lock washer M8 | 6 |
| 06 | 012724 | O-ring ORI-119 | 2 | 66 | 520205 | Bolt 1/2" - 13 UNC x 1.1/4" | 4 |
| 07 | 053892 | Control support | 1 | 67 | 537423 | Nut ø 1/2" BSP | 1 |
| 08 | 063370 | Clamp D 12-16 - stainless steel | 2 | 68 | 543348 | Mechanical agitator 2005 - 02 | 1 |
| 09 | 066043 | Hose fitting ø 2" | 1 | 69 | 555821 | Hose fitting ø 9,53 (3/8") | 1 |
| 10 | 081950 | Protective hose Ø1.1/2" x 350 | 2 | 70 | 567453 | Quick fitting 3/4" | 2 |
| 11 | 086546 | Hose Spacer | 3 | 71 | 613679 | Hose fitting 2" x 1.1/2" BSP | 1 |
| 12 | 118224 | Cross shield | 1 | 72 | 613695 | Hose Ø50 (2") x 745 - KM 50 | 1 |
| 13 | 180034 | Protective hose Ø 2" x 100 | 1 | 73 | 614461 | Hose Ø31,5 (1.1/4") x 330 - KM 32 | 1 |
| 14 | 209163 | Lock washer M12 | 5 | 74 | 618405 | Semiclamp plate 25 x 57 | 4 |
| 15 | 209395 | Lock washer M10 | 6 | 75 | 622969 | Double ring ø 22 x 26 x 3 | 4 |
| 16 | 221663 | Oil filler unit extension | 1 | 76 | 623884 | Flat washer 105 x 210 x 20 | 3 |
| 17 | 221721 | Male fitting 3/4" - 14 BSP | 1 | 77 | 626580 | Clamp D51-64 | 4 |
| 18 | 223909 | Hose ø 3/4" x 660 | 2 | 78 | 636399 | Quick fitting clamp | 2 |
| 19 | 249367 | Hose Ø31,5 (1.1/4") x 930 | 1 | 79 | 645416 | Tightening pulley assembly 78 (Shaft ø 15 x 50,5) | 1 |
| 20 | 275396 | Hex. head bolt M12 x 50 x 1.50 - CL 8.8 | 1 | | | | |
| 21 | 279844 | Suction filter with valve 200 L/min | 1 | 80 | 668301 | Cable directional valve (0-1000 psi) | 1 |
| 22 | 280768 | Flat washer M10 x 65 x 1,25 - CL 8.8 | 2 | 81 | 715490 | Hex. bolt M8 x 50 x 1.25 | 4 |
| 23 | 280925 | Hex. head bolt M12 x 35 x 1,50 | 5 | 82 | 715730 | Cotter pin 3/4" BSP x 14 BSP | 1 |
| 24 | 281857 | Hose Ø 3/8" x 720 | 1 | 83 | 725135 | Curve hose fitting 2" x 90 | 1 |
| 25 | 291849 | Fitting Ø25,4 (1") x 160 | 1 | 84 | 731497 | Hexagonal wing nut 1 1/4" BSP | 1 |
| 26 | 324764 | Float ø 14 | 1 | | | | |
| 27 | 324848 | Nipple 1.1/2" x 1" | 1 | 85 | 731513 | Hose fitting Ø 31,8 (1.1/4") x Ø 33 | 1 |
| 28 | 330969 | Clamp D25-38 - stainless steel | 6 | 86 | 731521 | O-ring OR1 - 124 | 2 |
| 29 | 331827 | Trapeze belt A-36 | 1 | 87 | 732040 | Semiclamp for tube 19 | 8 |
| 30 | 349118 | Hose fitting ø 3/4 | 2 | 88 | 757559 | Hex. bolt M10 x 30 x 1.25 | 4 |
| 31 | 356519 | Plug 3/4" - 14 BSP | 1 | 89 | 810770 | Hex. nut M8 x 1.25 | 6 |
| 32 | 356808 | Cable assembly | 2 | 90 | 818112 | Flat washer 130 x 240 x 30 | 9 |
| 33 | 368225 | Suction filter support | 1 | 91 | 819540 | Hose fitting ø 1" | 1 |
| 34 | 372458 | Tanks Assembly - 1500 L / 150L / 15L | 1 | 92 | 829507 | Hex. head bolt M6 x 16 x 1.00 | 4 |
| 35 | 377267 | Hose Ø19,00 (3/4") x 1300 | 1 | 93 | 829382 | Hex head bolt M8 x 25 x 1.25 | 2 |
| 36 | 378778 | Stickers holder | 1 | 94 | 839829 | Protective hose | 3 |
| 37 | 378786 | Sticker: "Valve Operation" (Right) | 1 | 95 | 859181 | O-ring OR2-111 | 1 |
| 38 | 378794 | Sticker: "Valve Operation" (Left) | 1 | 96 | 876870 | Flat washer 630 x 120 x 7 | 4 |
| 39 | 402412 | Lock washer ø 31 x 22.5 x 22.5/3.0 | 2 | 97 | 907030 | Hex. nut M10 x 1.25 | 6 |
| 40 | 405753 | Hex. nut 1" - 11 BSP | 1 | 98 | 908582 | Lock washer 1/2" | 4 |
| 41 | 413351 | Fitting nut | 1 | 99 | 910117 | Lock washer ø 1/4" | 3 |
| 42 | 413468 | Flat washer 68 x 190 x 12 | 3 | 100 | 943084 | Protective hose | 1 |
| 43 | 417717 | O-ring OR1-227 | 12 | 101 | 969394 | Tank sump fitting | 2 |
| 44 | 423814 | Clamp D22-32 - stainless steel | 18 | 102 | 969402 | Hose fitting ø 2" x 90° | 1 |
| 45 | 427013 | Nut ABTN - 1020 thread M12 x 1,50 | 5 | 103 | 970103 | Lock 56 | 2 |
| 46 | 427294 | Cotter pin ø 4 x 25 | 1 | 104 | 973024 | Seal 36 x 21 x 6 | 1 |
| 47 | 428730 | Elbow 3/4" x 1/2" BSP -14 F.P.P. | 2 | 105 | 979880 | Elbow fitting 1.1/4" x 90° | 2 |
| 48 | 428748 | Flanged nut 1/2" BSP -14 F.P.P. | 1 | 106 | 006048 | | 1 |
| 49 | 431320 | Flange | 1 | 107 | 991703 | Tank sump fitting | 2 |
| 50 | 431692 | Spray control actuator | 1 | 108 | 998963 | Fitting 1/4" BSP for hose 3/8" | 1 |
| 51 | 434456 | Pump support | 1 | | | | |
| 52 | 435115 | Pump support | 2 | | | | |
| 53 | 435123 | Hose Ø50 (2") x 520 - KM 50 | 1 | | | | |
| 54 | 435156 | Wide angle CV PTO shaft | 1 | | | | |
| 55 | 435164 | Flexible coupling 10 | 1 | | | | |
| 56 | 435214 | Agitation pulley base | 1 | | | | |
| 57 | 435255 | Hose ø 3/4" x 1180 | 2 | | | | |
| 58 | 435271 | Left tube | 1 | | | | |
| 59 | 435305 | Right tube | 1 | | | | |

CABLE-OPERATED DIRECTIONAL VALVE



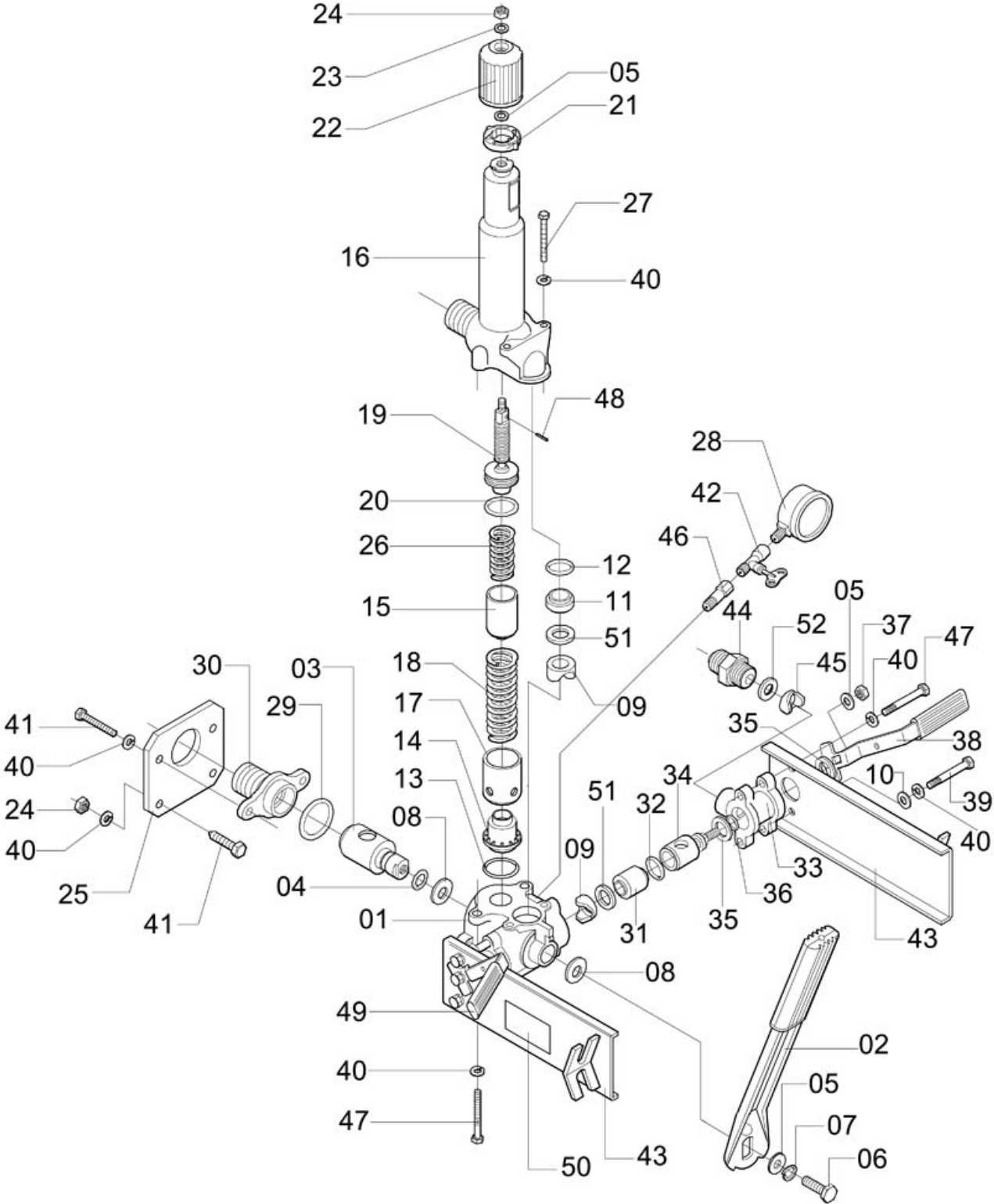
CV-294

CABLE-OPERATED DIRECTIONAL VALVE

Continuation

| Item | CODE | DESCRIPTION | Qty. | Item | CODE | DESCRIPTION | Qty. |
|------|--------|---------------------------------------|------|------|------|-------------|------|
| 00 | 488866 | Cable-operated directional valve | 1 | | | | |
| 01 | 935999 | Valve body | 1 | | | | |
| 02 | 010587 | Lever | 1 | | | | |
| 03 | 717835 | Core | 1 | | | | |
| 04 | 706796 | O-ring OR1-114 | 1 | | | | |
| 05 | 623884 | Flat washer 105 x 210 x 20 | 2 | | | | |
| 06 | 917682 | Bolt 3/8" - 16 UNC x 1/2" | 1 | | | | |
| 07 | 908566 | Lock washer ø 3/8" | 1 | | | | |
| 08 | 010645 | Core seat washer | 2 | | | | |
| 09 | 110593 | Seat and packing ring | 3 | | | | |
| 10 | 431486 | Spacer | 2 | | | | |
| 11 | 010793 | Packing seat spacer 29 x 12.5 | 1 | | | | |
| 12 | 012724 | O-ring ORI-119 | 1 | | | | |
| 13 | 011593 | O-ring OR1-219 | 1 | | | | |
| 14 | 010710 | Valve seat | 1 | | | | |
| 15 | 616144 | Spring spacer | 1 | | | | |
| 16 | 616102 | Cylinder | 1 | | | | |
| 17 | 010728 | Valve with insert | 1 | | | | |
| 18 | 622712 | Compression spring ø 25 x 90 | 1 | | | | |
| 19 | 117960 | Adj. screw 1/2" UNF (w/ spring seat) | 1 | | | | |
| 20 | 011601 | O-ring ORI-213 | 1 | | | | |
| 21 | 011031 | Lock | 1 | | | | |
| 22 | 010629 | Knob | 1 | | | | |
| 23 | 013433 | Flat washer | 1 | | | | |
| 24 | 912758 | Hex. nut 5/16" - 18 UNC | 3 | | | | |
| 25 | 107441 | Support | 1 | | | | |
| 26 | 616151 | Spring ø 18 x 34 | 1 | | | | |
| 27 | 910083 | Bolt 5/16" x 18 UNC x 1.3/4" | 2 | | | | |
| 28 | 427823 | Pressure gauge (glycerin-filled) | 1 | | | | |
| 29 | 106948 | O-ring OR1-130 | 1 | | | | |
| 30 | 010777 | Flanged fitting 1" BSP | 1 | | | | |
| 31 | 010801 | Spacer ø 29 x 19.4 | 2 | | | | |
| 32 | 011668 | O-ring OR1-122 | 2 | | | | |
| 33 | 357947 | Valve body | 2 | | | | |
| 34 | 357954 | Core ø 26 | 2 | | | | |
| 35 | 010769 | Core seat washer ø 24 | 4 | | | | |
| 36 | 011676 | O-ring OR1-111 | 2 | | | | |
| 37 | 810770 | Hex. nut M-8 x 1.25 | 2 | | | | |
| 38 | 357962 | Lever | 2 | | | | |
| 39 | 729038 | Bolt 5/16" x 2.3/4" | 2 | | | | |
| 40 | 519736 | Lock washer M8 | 12 | | | | |
| 41 | 836502 | Screw 5/16" - 18 UNC x 1" | 4 | | | | |
| 42 | 507319 | Needle valve for pressure gauge | 1 | | | | |
| 43 | 991752 | Support | 1 | | | | |
| 44 | 823435 | Outlet nipple | 2 | | | | |
| 45 | 110601 | Seat and packing ring | 2 | | | | |
| 46 | 014423 | Pressure gauge extension | 1 | | | | |
| 47 | 627992 | Hex. head bolt 5/16" - 18 UNC x 2.1/2 | 4 | | | | |
| 48 | 917369 | Flexible pin (heavy) 3 x 22 | 1 | | | | |
| 49 | 945964 | Lever handgrip | 2 | | | | |
| 50 | 322057 | O-ring ORI-114 | 2 | | | | |

CABLE DIRECTIONAL VALVE (0-1000 PSI)



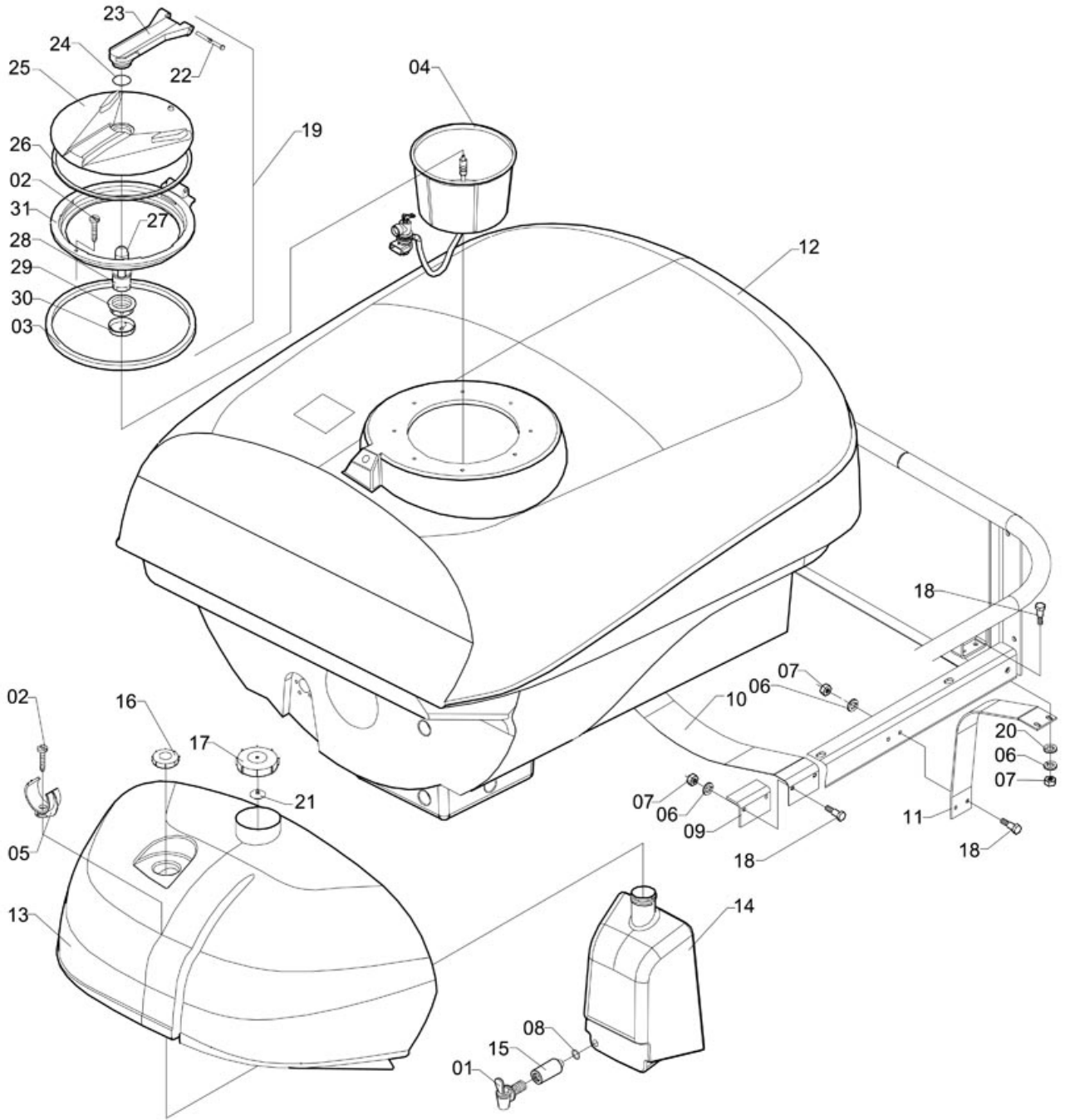
CV-316

CABLE DIRECTIONAL VALVE (0-1000 PSI)

Continuation

| Item | CODE | DESCRIPTION | Qty. | Item | CODE | DESCRIPTION | Qty. |
|------|--------|---------------------------------------|------|------|------|-------------|------|
| 00 | 668301 | Cable directional valve (0-1000 psi) | 1 | | | | |
| 01 | 935999 | Valve body | 1 | | | | |
| 02 | 010587 | Lever | 1 | | | | |
| 03 | 717835 | Core | 1 | | | | |
| 04 | 706796 | O-ring OR1-114 | 1 | | | | |
| 05 | 623884 | Flat washer 105 x 210 x 20 | 4 | | | | |
| 06 | 917682 | Bolt 3/8" - 16 UNC x 1/2" | 1 | | | | |
| 07 | 908566 | Lock washer ø 3/8" | 1 | | | | |
| 08 | 010645 | Core seat washer | 2 | | | | |
| 09 | 010678 | | 3 | | | | |
| 10 | 431486 | Spacer | 2 | | | | |
| 11 | 010793 | Packing seat spacer 29 x 12.5 | 1 | | | | |
| 12 | 012724 | O-ring ORI-119 | 1 | | | | |
| 13 | 011593 | O-ring OR1-219 | 1 | | | | |
| 14 | 010710 | Valve seat | 1 | | | | |
| 15 | 616144 | Spring spacer | 1 | | | | |
| 16 | 616102 | Cylinder | 1 | | | | |
| 17 | 010728 | Valve with insert | 1 | | | | |
| 18 | 622712 | Compression spring ø 25 x 90 | 1 | | | | |
| 19 | 117960 | Adj. screw 1/2" UNF (w/ spring seat) | 1 | | | | |
| 20 | 011601 | O-ring ORI-213 | 1 | | | | |
| 21 | 011031 | Lock | 1 | | | | |
| 22 | 010629 | Knob | 1 | | | | |
| 23 | 013433 | Flat washer | 1 | | | | |
| 24 | 912758 | Hex. nut 5/16" - 18 UNC | 3 | | | | |
| 25 | 107441 | Support | 1 | | | | |
| 26 | 616151 | Spring ø 18 x 34 | 1 | | | | |
| 27 | 831503 | Hex. bolt 5/16"-18 UNC x 1.3/4" | 2 | | | | |
| 28 | 427823 | Pressure gauge (glycerin-filled) | 1 | | | | |
| 29 | 106948 | O-ring OR1-130 | 1 | | | | |
| 30 | 010777 | Flanged fitting 1" BSP | 1 | | | | |
| 31 | 010801 | Spacer ø 29 x 19.4 | 2 | | | | |
| 32 | 011668 | O-ring OR1-122 | 2 | | | | |
| 33 | 357947 | Valve body | 2 | | | | |
| 34 | 357954 | Core ø 26 | 2 | | | | |
| 35 | 010769 | Core seat washer ø 24 | 4 | | | | |
| 36 | 011676 | O-ring OR1-111 | 2 | | | | |
| 37 | 810770 | Hex. nut M-8 x 1.25 | 2 | | | | |
| 38 | 357962 | Lever | 2 | | | | |
| 39 | 729038 | Bolt 5/16" x 2.3/4" | 2 | | | | |
| 40 | 519736 | Lock washer M8 | 12 | | | | |
| 41 | 836502 | Screw 5/16" - 18 UNC x 1" | 4 | | | | |
| 42 | 507319 | Needle valve for pressure gauge | 1 | | | | |
| 43 | 358127 | Support | 2 | | | | |
| 44 | 566802 | Nipple ø 3/4" x 3/4" - BSP | 2 | | | | |
| 45 | 010751 | Packing seat ø 22 | 2 | | | | |
| 46 | 014423 | Pressure gauge extension | 1 | | | | |
| 47 | 627992 | Hex. head bolt 5/16" - 18 UNC x 2.1/2 | 4 | | | | |
| 48 | 917369 | Flexible pin (heavy) 3 x 22 | 1 | | | | |
| 49 | 945964 | Lever handgrip | 2 | | | | |
| 50 | 979583 | Sticker: "Control maintenance..." | 1 | | | | |
| 51 | 010827 | Packing ring ø 29 x 22 x 3 | 3 | | | | |
| 52 | 010991 | O-ring ø 24.7 | 2 | | | | |

TANKS ASSEMBLY - 1500 L / 150L / 15L

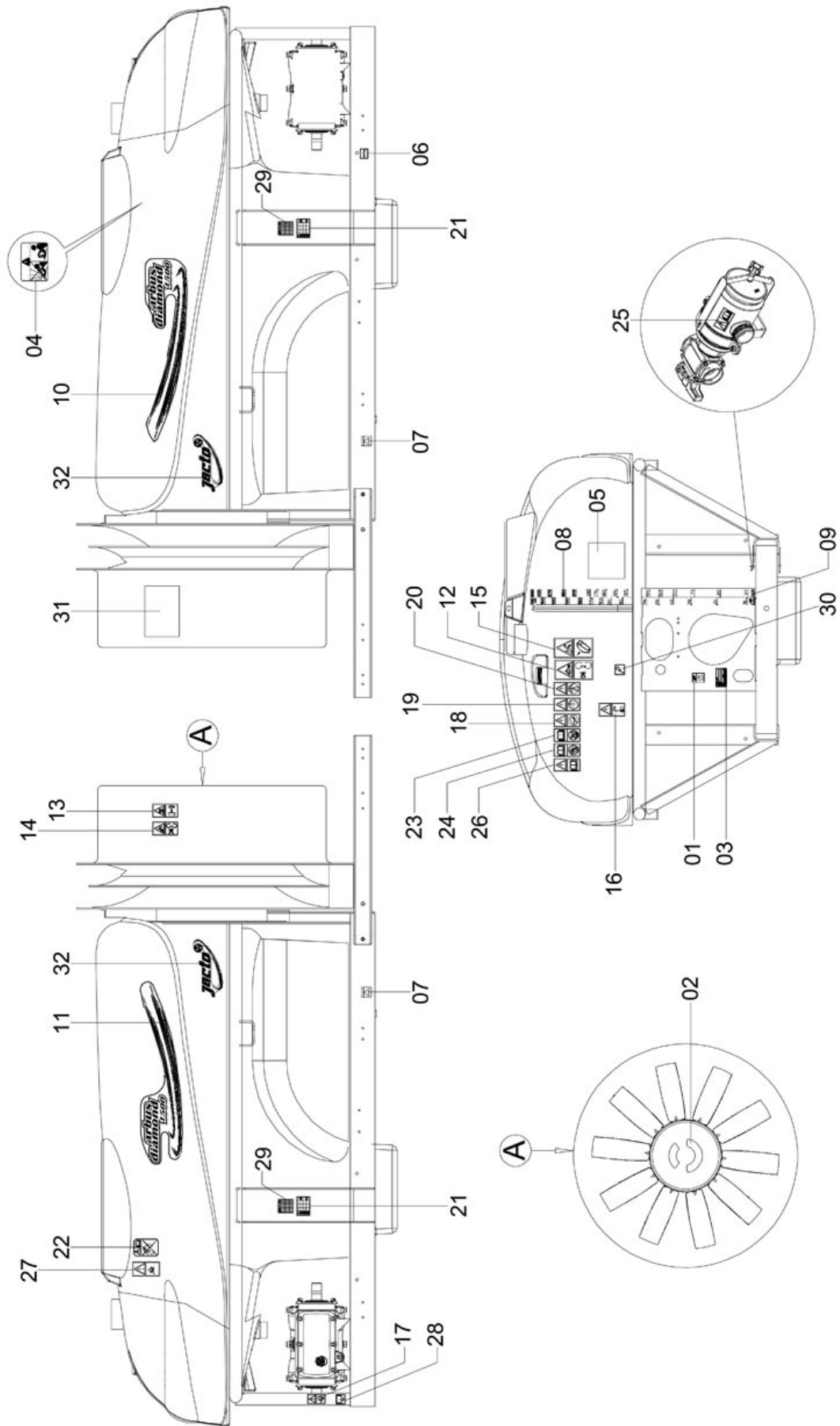


TANKS ASSEMBLY - 1500 L / 150L / 15L

Continuation

| Item | CODE | DESCRIPTION | Qty. | Item | CODE | DESCRIPTION | Qty. |
|------|--------|--------------------------------------|------|------|------|-------------|------|
| 00 | 372458 | Tanks Assembly - 1500 L / 150L / 15L | 1 | | | | |
| 01 | 044180 | Plastic tap 23 x 3/8" BSP | 1 | | | | |
| 02 | 062968 | Self-tapping screw with slot | 9 | | | | |
| 03 | 080275 | Seal 8 x 15 1370 | 1 | | | | |
| 04 | 134239 | Chemical container rinse nozzle kit | 1 | | | | |
| 05 | 958587 | Hose support | 1 | | | | |
| 06 | 209395 | Lock washer M10 | 12 | | | | |
| 07 | 907030 | Hex. nut M10 x 1.25 | 12 | | | | |
| 08 | 325290 | O-ring OR1-112 | 1 | | | | |
| 09 | 368241 | Lower Bearer Support | 2 | | | | |
| 10 | 368258 | Tank Lower Bearer | 1 | | | | |
| 11 | 368274 | Tank Side Reinforcement | 2 | | | | |
| 12 | 372474 | Tank 1500 L | 1 | | | | |
| 13 | 372490 | Tank 150 L | 1 | | | | |
| 14 | 372516 | Tank 15 L | 1 | | | | |
| 15 | 372524 | Adaptor for Tap | 1 | | | | |
| 16 | 900761 | Drain cap ø 67 | 1 | | | | |
| 17 | 762856 | Cover ø 130 | 1 | | | | |
| 18 | 757559 | Hex. bolt M10 x 30 x 1.25 | 12 | | | | |
| 19 | 752949 | "Italian" Lid Assembly with Ring | 1 | | | | |
| 20 | 623884 | Flat washer 105 x 210 x 20 | 4 | | | | |
| 21 | 560573 | Lid diaphragm | 1 | | | | |
| 22 | 870212 | Articulation pin | 1 | | | | |
| 23 | 870204 | Lid articulator | 1 | | | | |
| 24 | 870220 | Packing ring | 1 | | | | |
| 25 | 870238 | Spray tank lid | 1 | | | | |
| 26 | 994863 | Packing ring 367 x 6.99 | 1 | | | | |
| 27 | 870253 | Float | 1 | | | | |
| 28 | 870261 | Breather assembly | 1 | | | | |
| 29 | 870287 | Coupling nut | 1 | | | | |
| 30 | 870295 | Deflector | 1 | | | | |
| 31 | 870279 | Lid seat | 1 | | | | |

STICKER: "ARBUS 1500 DIAMOND"



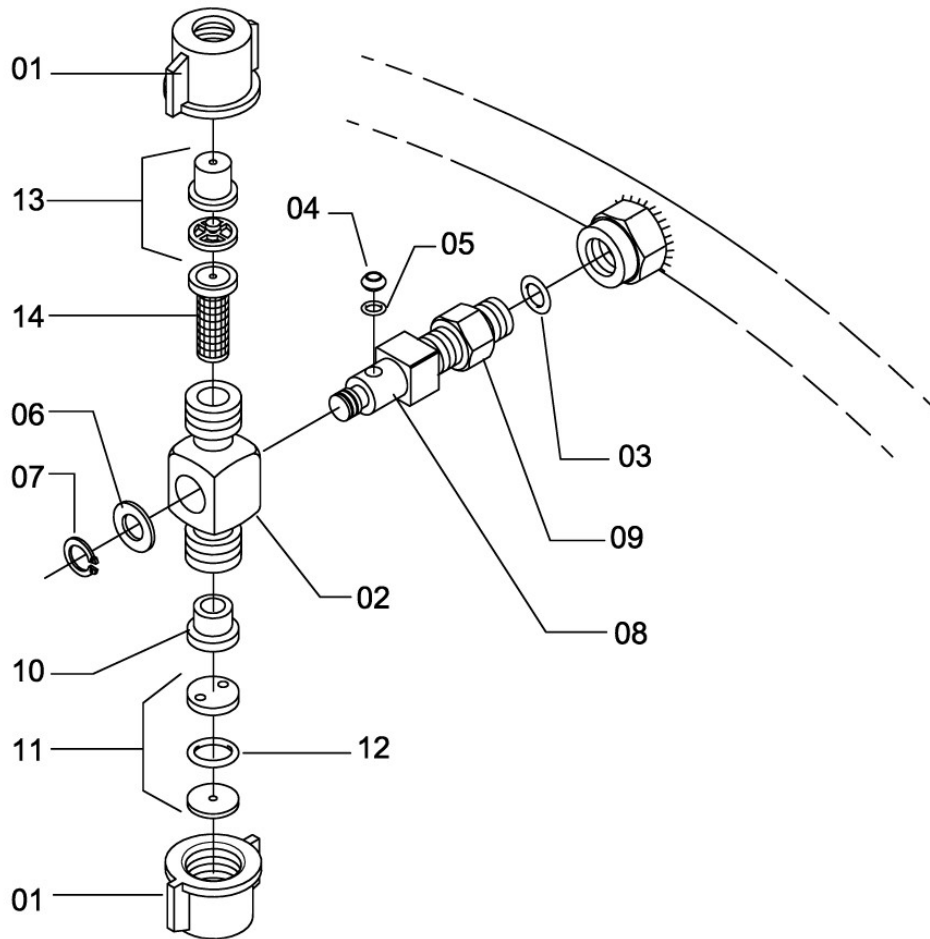
ADS-71

STICKER: "ARBUS 1500 DIAMOND"

Continuation

| Item | CODE | DESCRIPTION | Qty. | Item | CODE | DESCRIPTION | Qty. |
|------|--------|--|------|------|------|-------------|------|
| 00 | 547273 | Sticker: "ARBUS 1500 Diamond" | 1 | | | | |
| 01 | 013169 | Sticker: "OK- FINAL TEST" | 1 | | | | |
| 02 | 018705 | Sticker: "Fan lock instructions" | 1 | | | | |
| 03 | 047035 | Sticker: "Table - (Identification Plate)" | 1 | | | | |
| 04 | 169128 | Sticker: "Chemical container rinse nozzle" | 1 | | | | |
| 05 | 219717 | Sticker: Drawbar adjustment (Spanish) | 1 | | | | |
| 06 | 276220 | Sticker: "Lubrication Point Indication" | 3 | | | | |
| 07 | 276238 | Sticker: "Jack Positioning Indication" | 2 | | | | |
| 08 | 372672 | Sticker: Level indicator (upper scale) | 1 | | | | |
| 09 | 372680 | Sticker: Level indicator (lower scale) | 1 | | | | |
| 10 | 372698 | Sticker "Right label for tank 1500" | 1 | | | | |
| 11 | 372706 | Sticker "Left label for tank 1500" | 1 | | | | |
| 12 | 379008 | Sticker: "Danger - PTO Shaft" | 1 | | | | |
| 13 | 379040 | Sticker: "Attention - Keep at a Distance" | 1 | | | | |
| 14 | 379057 | Sticker: "Keep at a Distance - Fan" | 1 | | | | |
| 15 | 379065 | Sticker: "Keep all shields in place" | 1 | | | | |
| 16 | 379073 | Sticker: "Tank - Water for Washing Hands" | 1 | | | | |
| 17 | 379107 | Sticker: "Hydraulic Oil Level" | 1 | | | | |
| 18 | 379115 | Sticker: "Obligatory Use of Respirator" | 1 | | | | |
| 19 | 379123 | Sticker: "Obligatory Use of Hearing Protection" | 1 | | | | |
| 20 | 379131 | Sticker: "Obligatory Use of Protective Clothing" | 1 | | | | |
| 21 | 379164 | Sticker: "Nut Torque" | 2 | | | | |
| 22 | 379172 | Sticker: "Be careful when opening the tank lid" | 1 | | | | |
| 23 | 379214 | Sticker: "Maximum Speed 30 KM/H" | 1 | | | | |
| 24 | 379222 | Sticker: "This Machine Is Not Allowed In Highways" | 1 | | | | |
| 25 | 379230 | Sticker: "Read Operator's Manual - Horizontal" | 1 | | | | |
| 26 | 379248 | Sticker: "Read Operator's Manual - Vertical" | 1 | | | | |
| 27 | 380014 | Sticker: "Attention: Do Not Get Into The Tank" | 1 | | | | |
| 28 | 389387 | Sticker: "Drain Indication" | 1 | | | | |
| 29 | 391631 | Sticker: "Tire Pressure Indication" | 2 | | | | |
| 30 | 395061 | Sticker: "Lubrication Point Indication -" | 1 | | | | |
| 31 | 438903 | Sticker: Instructions on the lever | 1 | | | | |
| 32 | 949479 | Sticker: "logotype" | 2 | | | | |

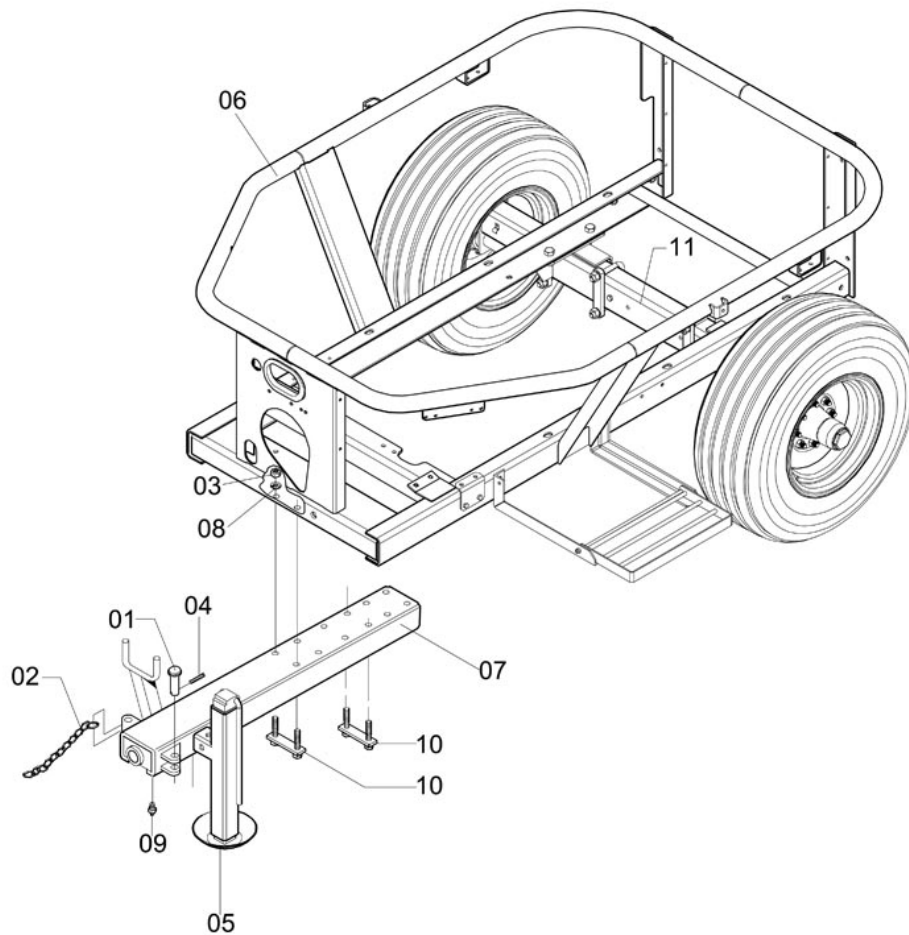
NOZZLE HOLDER



BC-7

| Item | CODE | DESCRIPTION | Qty. | Item | CODE | DESCRIPTION | Qty. |
|------|--------|------------------------------|------|------|------|-------------|------|
| 00 | 340802 | Double nozzle holder | 1 | | | | |
| 01 | 710590 | Nozzle cap | 2 | | | | |
| 02 | 340810 | Double nozzle holder | 1 | | | | |
| 03 | 120097 | O-ring ORI - 013 | 1 | | | | |
| 04 | 340828 | Seal | 1 | | | | |
| 05 | 340851 | O-ring OR2 - 201 | 1 | | | | |
| 06 | 340836 | Wavy washer | 1 | | | | |
| 07 | 340844 | Snap ring for shaft ø 10 | 1 | | | | |
| 08 | 454991 | Nozzle holder support 51.5 | 1 | | | | |
| 09 | 441154 | Nut ø 1/4" BSP - 18 F.P.P. | 1 | | | | |
| 10 | 330928 | Nozzle seat | 1 | | | | |
| 11 | 325423 | Cone nozzle J4-2 | 1 | | | | |
| 11A | 819607 | Cone nozzle J4-3 | 1 | | | | |
| 11B | 325431 | Cone nozzle J5-2 | 1 | | | | |
| 11C | 325449 | Cone nozzle J6-2 | 1 | | | | |
| 11D | 327486 | Cone nozzle J5-3 | 1 | | | | |
| 11E | 327494 | Cone nozzle J6-3 | 1 | | | | |
| 12 | 913335 | Packing ring | 1 | | | | |
| 13 | 109744 | Cone nozzle JA-1 (dark blue) | 1 | | | | |
| 13A | 454256 | Cone nozzle JA-1.5 | 1 | | | | |
| 13B | 000026 | Cone nozzle JA-2 (black) | 1 | | | | |
| 13C | 454264 | Cone nozzle JA-3 (orange) | 1 | | | | |
| 13D | 454272 | Cone nozzle JA-4 (red) | 1 | | | | |
| 13E | 454280 | Cone nozzle JA-5 (green) | 1 | | | | |
| 14 | 439083 | Nozzle filter (50 mesh) | 1 | | | | |
| 14A | 440156 | Nozzle filter (80 mesh) | 1 | | | | |

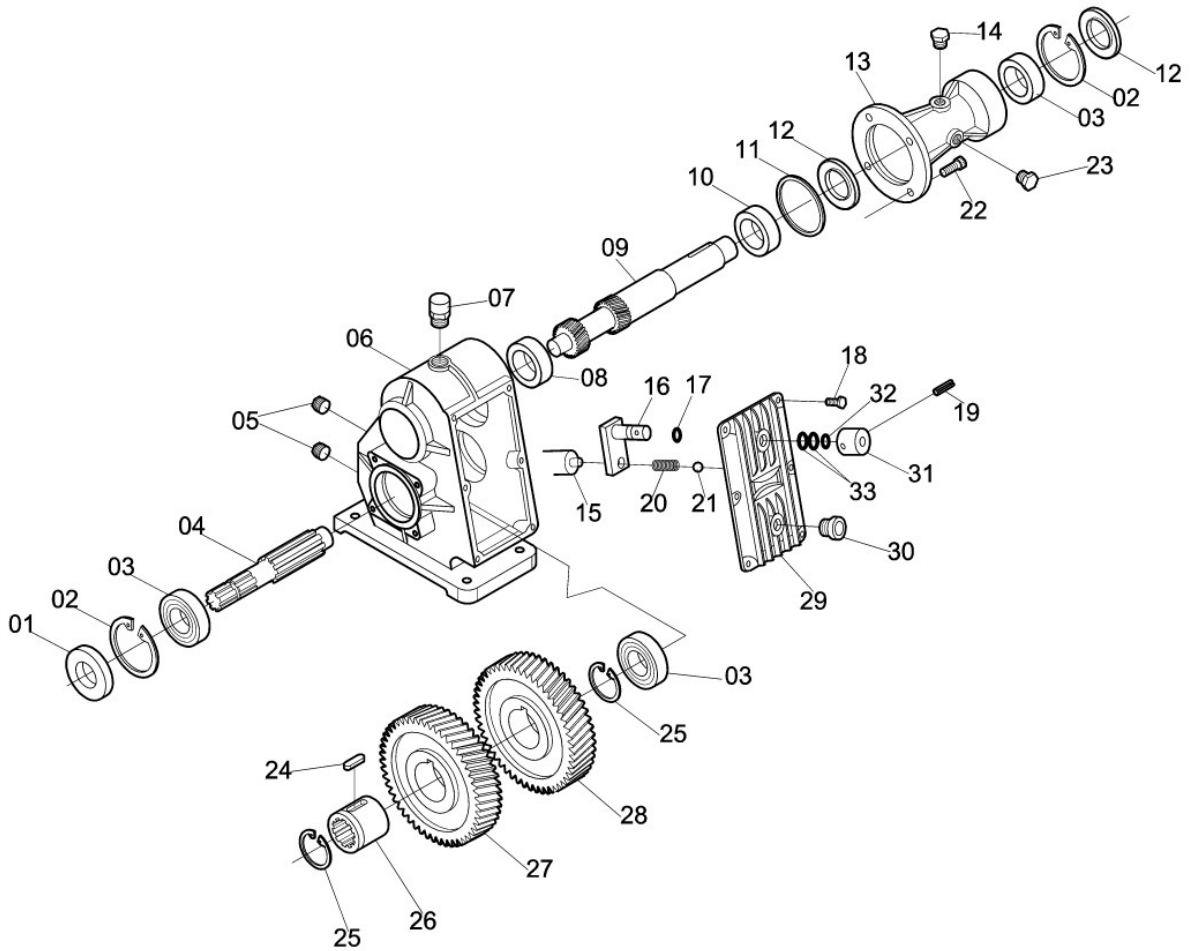
TRAILER FOR 1500-LITER TANK WITH ADJUSTABLE AXLE 13



C-200

| Item | CODE | DESCRIPTION | Qty. | Item | CODE | DESCRIPTION | Qty. |
|------|--------|---|------|------|------|-------------|------|
| 00 | 434613 | Trailer for 1500-liter tank with adjustable axle 13 | 1 | | | | |
| 01 | 104836 | Cylinder axle | 1 | | | | |
| 02 | 118216 | Chain 2200 | 1 | | | | |
| 03 | 228957 | Nut \varnothing 5/8" - 18 UNF | 4 | | | | |
| 04 | 330076 | Flexible pin \varnothing 4 x 16 (heavy) | 2 | | | | |
| 05 | 431064 | Jack no. 10 | 1 | | | | |
| 06 | 434621 | Trailer chassis | 1 | | | | |
| 07 | 435008 | Trailer tongue | 1 | | | | |
| 08 | 881243 | Flat washer 170 x 300 x 19 | 4 | | | | |
| 09 | 910463 | Grease nipple 1/4" - 28 UNF | 1 | | | | |
| 10 | 926170 | Hitch setting plate | 2 | | | | |
| 11 | 997551 | Adjustable axle n° 13 | 1 | | | | |
| | 379164 | Sticker: "Nut Torque" | 2 | | | | |
| | 391631 | Sticker: "Tire Pressure Indication" | 2 | | | | |

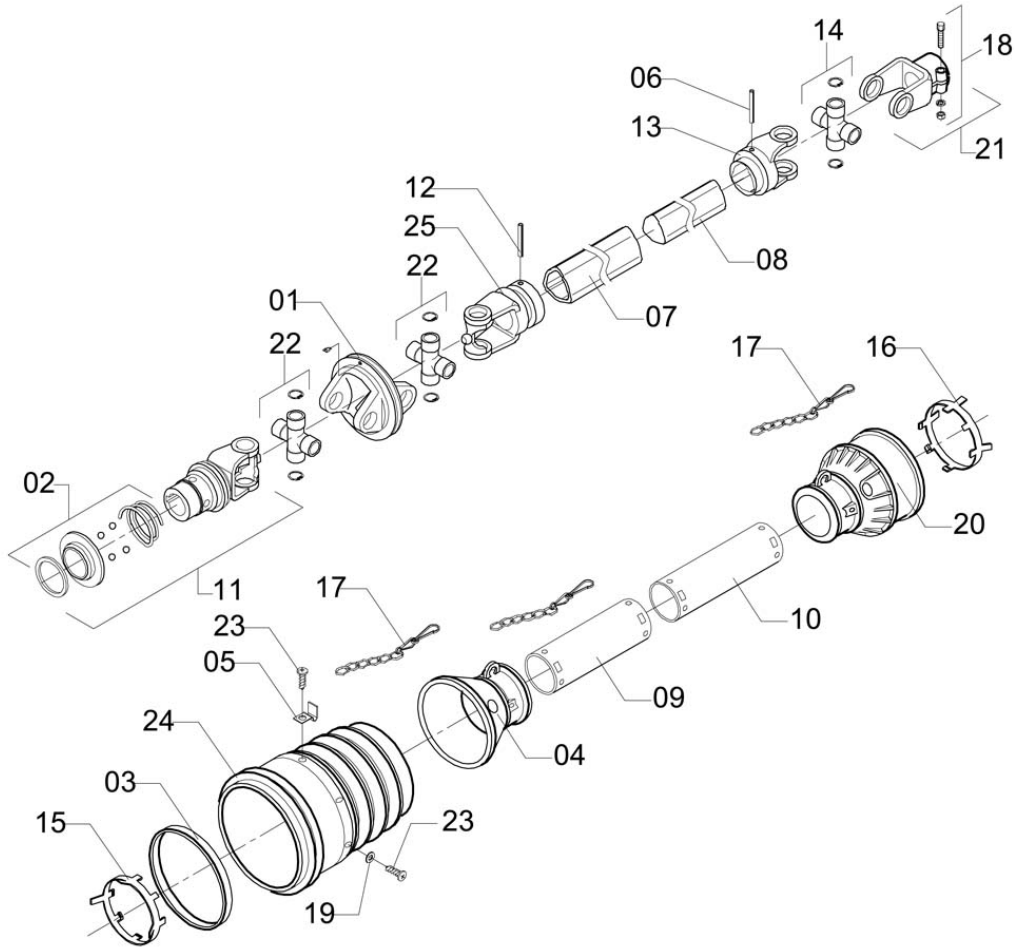
GEARBOX ASSEMBLY



CM-5

| Item | CODE | DESCRIPTION | Qty. | Item | CODE | DESCRIPTION | Qty. |
|------|--------|---------------------------------|------|------|--------|------------------------|------|
| 00 | 054510 | Gearbox assembly | 1 | 26 | 555417 | Grooved sleeve | 1 |
| 01 | 555300 | Retainer 35 x 72 x 10 | 2 | 27 | 870147 | Gear | 1 |
| 02 | 910174 | Snap ring for hole ø 62 | 2 | 28 | 871061 | Gear | 1 |
| 03 | 328062 | Bearing no. 6207 SKF | 3 | 29 | 873885 | Case cover | 1 |
| 04 | 555250 | Shaft | 1 | 30 | 879502 | Plug D20 | 1 |
| 05 | 555268 | Plug 1/2 GAS | 3 | 31 | 555466 | Hub | 1 |
| 06 | 873869 | Body | 1 | 32 | 873919 | Snap ring D16-E | 1 |
| 07 | 555284 | Plug 1/2 GAS | 1 | 33 | 873901 | Sleeve 16.2 x 24 x 0.4 | 2 |
| 08 | 910182 | Fixed bearing NSK 6206 | 1 | | | | |
| 09 | 870139 | Shaft | 1 | | | | |
| 10 | 873877 | Bearing 6307 SKF | 1 | | | | |
| 11 | 429563 | Snap ring for hole ø 72 | 2 | | | | |
| 12 | 555243 | Retainer 35 x 62 x 10 | 10 | | | | |
| 13 | 555318 | Bearing | 1 | | | | |
| 14 | 873893 | Plug 3/8" GAS | 1 | | | | |
| 15 | 555334 | Cushion | 1 | | | | |
| 16 | 555342 | Lever | 1 | | | | |
| 17 | 555359 | O-ring OR3-043 | 1 | | | | |
| 18 | 810697 | Bolt M6 x 1 x 20 | 6 | | | | |
| 19 | 910802 | Flexible pin ø 6 x 28 | 1 | | | | |
| 20 | 555367 | Spring | 1 | | | | |
| 21 | 555375 | Ball 5/16" | 1 | | | | |
| 22 | 829408 | Bolt M-10 x 25 x 1.50 - CL. 8.8 | 4 | | | | |
| 23 | 555383 | Plug 3/8" GAS | 1 | | | | |
| 24 | 555391 | Key 16 x 10 x 35 | 1 | | | | |
| 25 | 555409 | Snap ring D60-E | 2 | | | | |

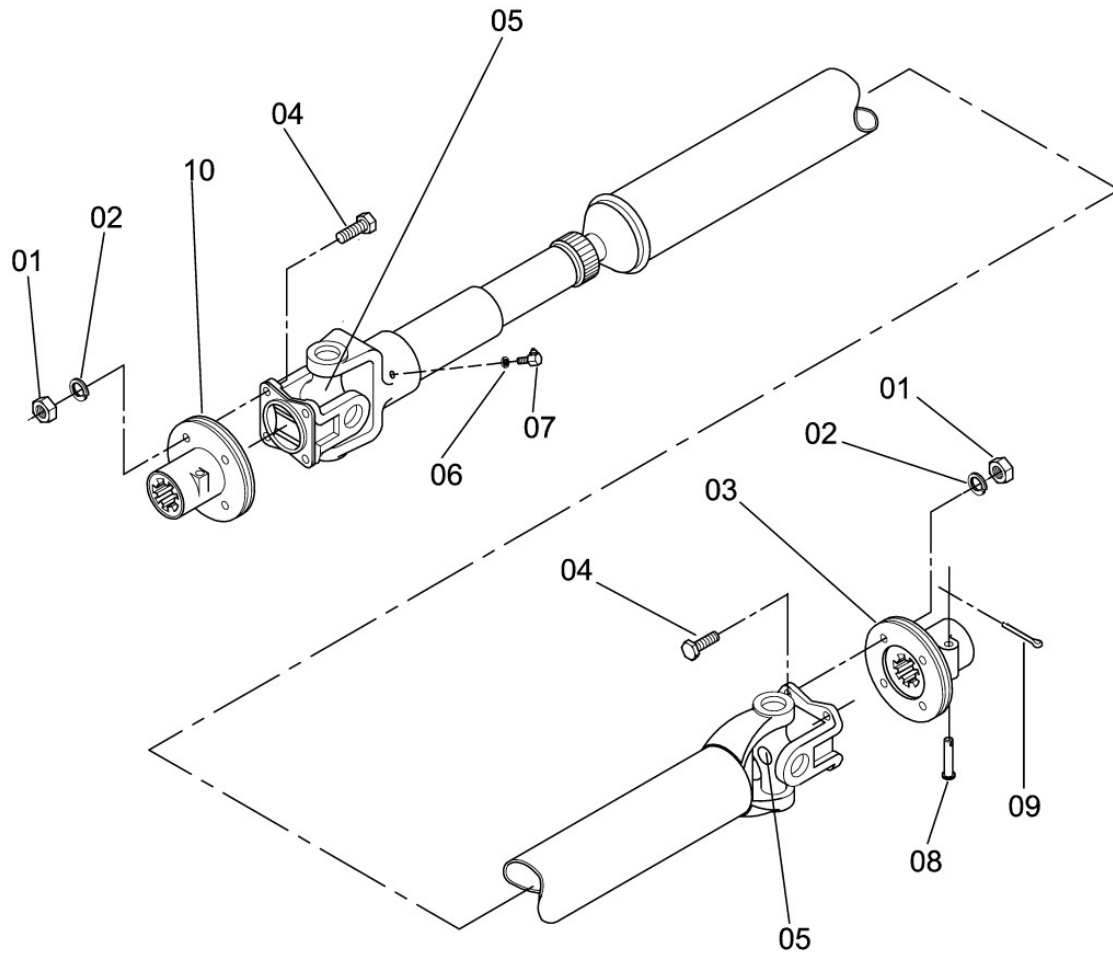
WIDE ANGLE CV PTO SHAFT



CN-27

| Item | CODE | DESCRIPTION | Qty. | Item | CODE | DESCRIPTION | Qty. |
|------|--------|--|------|------|------|-------------|------|
| 00 | 435156 | Wide angle CV PTO shaft | 1 | | | | |
| 01 | 008839 | Central body | 1 | | | | |
| 02 | 585414 | PTO end blocking kit - 6 grooves | 1 | | | | |
| 03 | 169292 | Cross guard lock | 1 | | | | |
| 04 | 169326 | Intermediate guard (tractor end) | 1 | | | | |
| 05 | 169334 | PTO shaft chain hook | 1 | | | | |
| 06 | 227173 | Flexible pin ø10 x 65 | 1 | | | | |
| 07 | 640730 | Female tube | 1 | | | | |
| 08 | 640748 | Male tube | 1 | | | | |
| 09 | 640755 | Shield (female tube) | 1 | | | | |
| 10 | 640763 | Shield (male tube) | 1 | | | | |
| 11 | 399550 | Coupling end - PTO end (1.3/8"Z=6) | 1 | | | | |
| 12 | 456970 | Flexible pin | 1 | | | | |
| 13 | 457010 | Male tube coupling end | 1 | | | | |
| 14 | 457028 | Cross | 1 | | | | |
| 15 | 457069 | Shield lock | 1 | | | | |
| 16 | 457119 | Shield lock | 1 | | | | |
| 17 | 457127 | Chain | 3 | | | | |
| 18 | 457192 | Bolt and nut | 1 | | | | |
| 19 | 501692 | Flat washer 52 x 120 x 12 | 5 | | | | |
| 20 | 572321 | Cross shield (sprayer end) | 1 | | | | |
| 21 | 457051 | Coupling end (sprayer end) | 1 | | | | |
| 22 | 681676 | Cross assembly | 2 | | | | |
| 23 | 856229 | Self-tapping bolt with slot PH. 4.8 x 22 | 6 | | | | |
| 24 | 876789 | Central body guard - tractor end | 1 | | | | |
| 25 | 876797 | Female tube end | 1 | | | | |

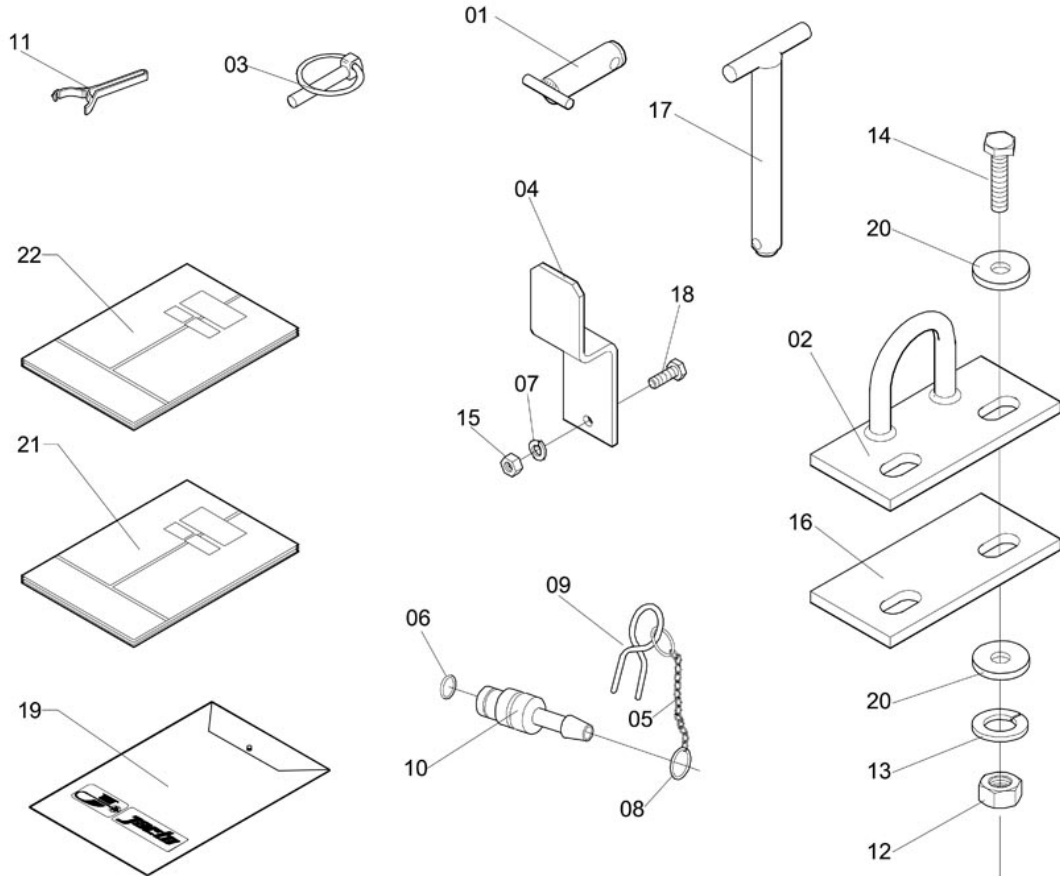
PTO SHAFT 1420



CN-11

| Item | CODE | DESCRIPTION | Qty. | Item | CODE | DESCRIPTION | Qty. |
|------|--------|--|------|------|------|-------------|------|
| 00 | 435545 | PTO shaft 1420 | 1 | | | | |
| 01 | 829499 | Nut M-10 x 1.5 | 8 | | | | |
| 02 | 209395 | Lock washer M10 | 8 | | | | |
| 03 | 431346 | Grooved hub | 2 | | | | |
| 04 | 829416 | Bolt M-10 x 35 x 1.5 | 8 | | | | |
| 05 | 823971 | Cross | 2 | | | | |
| 06 | 731083 | Ring \varnothing 6.45 x \varnothing 7.94 x 2 | 4 | | | | |
| 07 | 731091 | Grease nipple \varnothing 1/4" - 45° | 4 | | | | |
| 08 | 435487 | Pin \varnothing 12 x 55 | 1 | | | | |
| 09 | 427294 | Cotter pin \varnothing 4 x 25 | 1 | | | | |
| 10 | 431320 | Flange | 1 | | | | |

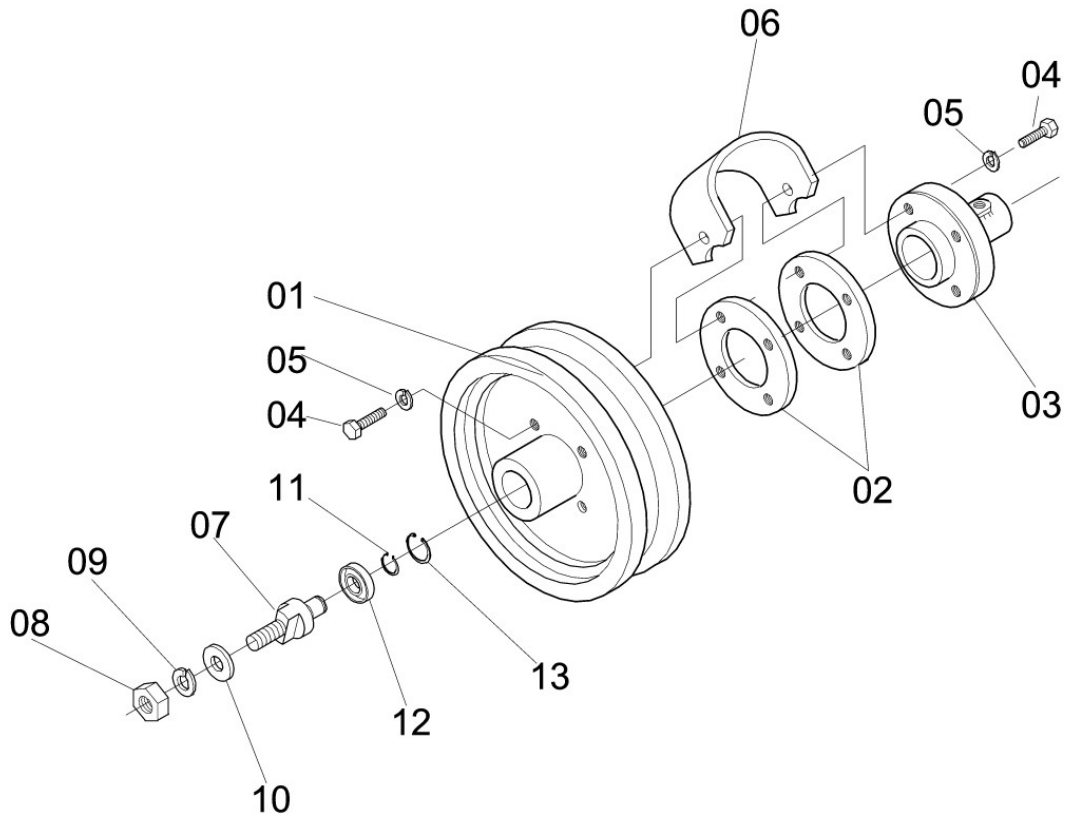
ACCESSORIES BOX "A-1500 DIAMOND"



CXA-318

| Item | CODE | DESCRIPTION | Qty. | Item | CODE | DESCRIPTION | Qty. |
|------|--------|---|------|------|------|-------------|------|
| 00 | 672253 | Accessories box "A-1500 Diamond" | 1 | | | | |
| 01 | 118190 | Chain fastening pin | 1 | | | | |
| 02 | 118208 | Belt positioner | 1 | | | | |
| 03 | 330407 | Universal lock pin 5/16" | 2 | | | | |
| 04 | 431718 | Operating holder | 1 | | | | |
| 05 | 437822 | Chain 120 mm | 2 | | | | |
| 06 | 440982 | O-ring OR1-117 | 2 | | | | |
| 07 | 519736 | Lock washer M8 | 2 | | | | |
| 08 | 622969 | Double ring ø 22 x 26 x 3 | 4 | | | | |
| 09 | 636399 | Quick fitting clamp | 2 | | | | |
| 10 | 636407 | Spray gun quick fitting 1/2" | 2 | | | | |
| 11 | 703694 | Key 40-45 | 1 | | | | |
| 12 | 742015 | Nut M16 x 1.50 | 2 | | | | |
| 13 | 764142 | Lock washer M16 | 2 | | | | |
| 14 | 764225 | Screw M16 x 90 x 2.00 | 2 | | | | |
| 15 | 810770 | Hex. nut M8 x 1.25 | 2 | | | | |
| 16 | 819680 | Chain holder clip plate | 1 | | | | |
| 17 | 824003 | Tee pin | 1 | | | | |
| 18 | 829382 | Hex head bolt M8 x 25 x 1.25 | 2 | | | | |
| 19 | 867127 | Plastic folder | 1 | | | | |
| 20 | 881300 | Flat washer 170 x 380 x 3.0 | 4 | | | | |
| 21 | 907212 | Operator's manual Chemical container rinse nozzle (USA) | 1 | | | | |
| 22 | 948422 | Operator's manual "A-1500 Diamond MI" | 1 | | | | |

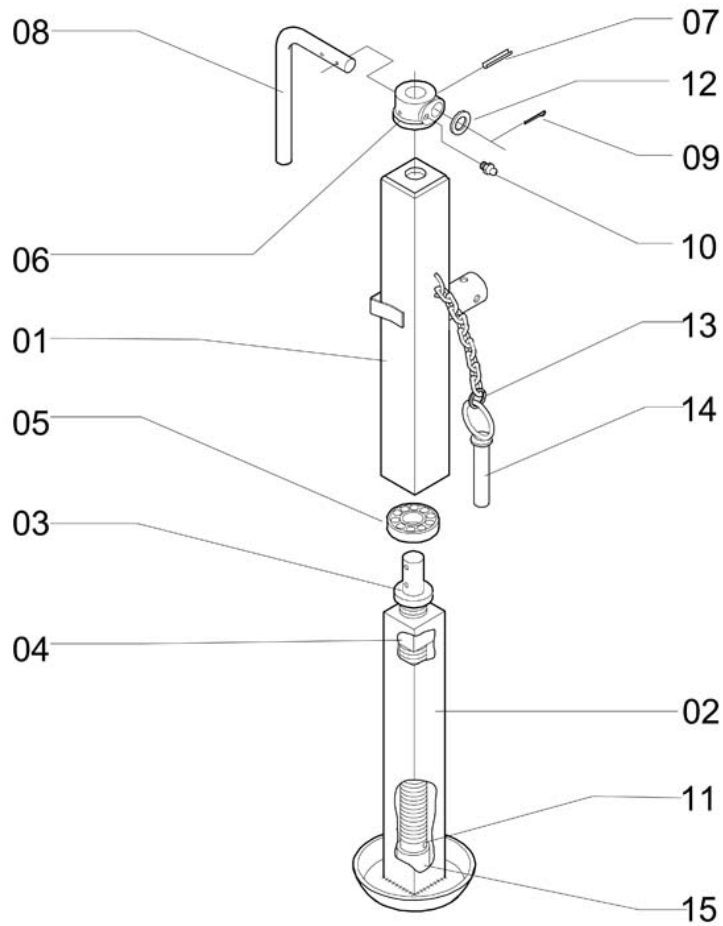
FLEXIBLE COUPLING 10



LE-9

| Item | CODE | DESCRIPTION | Qty. | Item | CODE | DESCRIPTION | Qty. |
|------|--------|-----------------------------------|------|------|------|-------------|------|
| 00 | 435164 | Flexible coupling 10 | 1 | | | | |
| 01 | 727917 | Pulley \varnothing 146-1A | 1 | | | | |
| 02 | 326462 | Ring | 2 | | | | |
| 03 | 435180 | Hub with hole \varnothing 16 | 1 | | | | |
| 04 | 836502 | Screw 5/16" - 18 UNC x 1" | 8 | | | | |
| 05 | 519736 | Lock washer M8 | 8 | | | | |
| 06 | 326447 | Flexible link 125 | 4 | | | | |
| 07 | 817627 | Tightening pulley shaft 15 x 50.5 | 1 | | | | |
| 08 | 912790 | Hex. nut 1/2" - 13 UNC | 1 | | | | |
| 09 | 908582 | Lock washer 1/2" | 1 | | | | |
| 10 | 818112 | Flat washer 130 x 240 x 30 | 1 | | | | |
| 11 | 910851 | Snap ring for shaft 15 | 1 | | | | |
| 12 | 328781 | Fixed bearing | 1 | | | | |
| 13 | 517557 | Snap ring for hole | 1 | | | | |

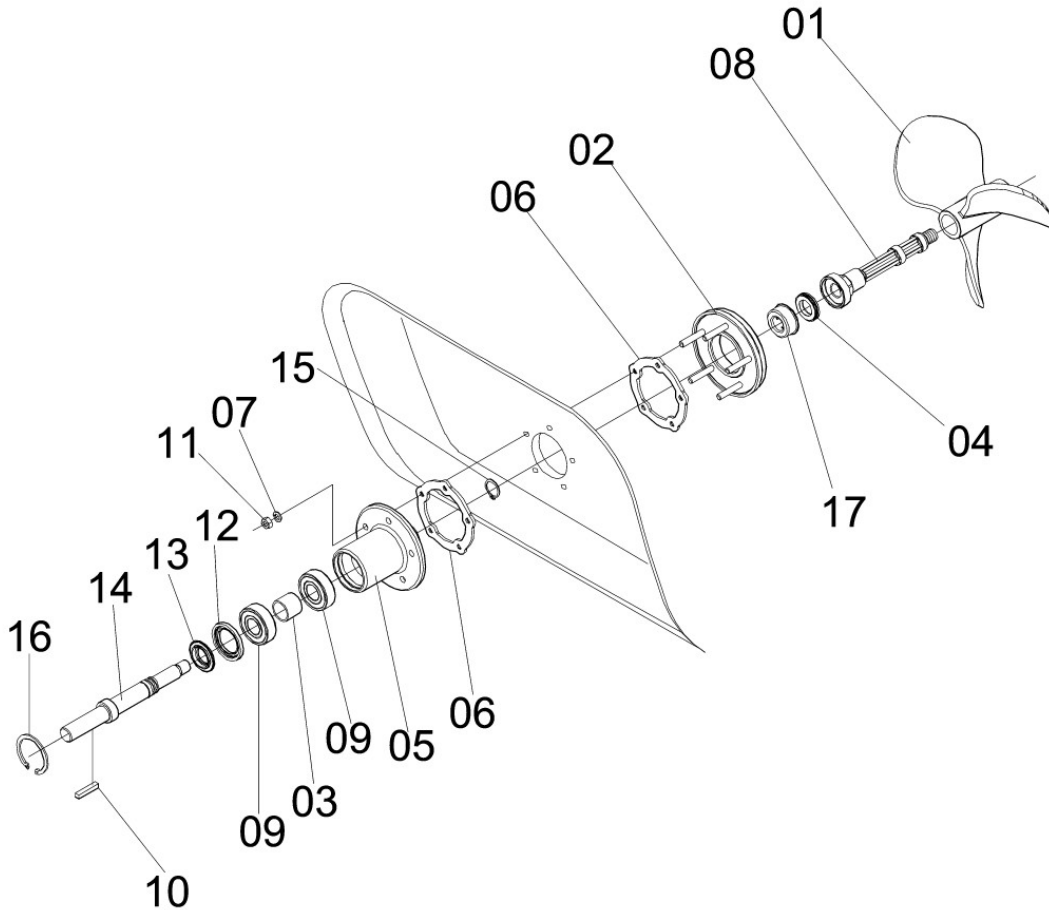
JACK NO. 10



MC-9

| Item | CODE | DESCRIPTION | Qty. | Item | CODE | DESCRIPTION | Qty. |
|------|--------|--|------|------|------|-------------|------|
| 00 | 431064 | Jack no. 10 | 1 | | | | |
| 01 | 670323 | Jack body | 1 | | | | |
| 02 | 670364 | Sliding bar | 1 | | | | |
| 03 | 330019 | Screw \varnothing 7/8" - 9 UNC x 360 | 1 | | | | |
| 04 | 426544 | Squarenut 7/8" - 9 UNC | 1 | | | | |
| 05 | 330084 | Bearing | 1 | | | | |
| 06 | 330043 | Bolt head | 1 | | | | |
| 07 | 910802 | Flexible pin \varnothing 6 x 28 | 1 | | | | |
| 08 | 331314 | Jack handle | 1 | | | | |
| 09 | 910240 | Cotter pin \varnothing 3.18 x 25.4 | 1 | | | | |
| 10 | 910463 | Grease nipple 1/4" - 28 UNF | 1 | | | | |
| 11 | 103978 | Flexible pin 6 x 24 | 1 | | | | |
| 12 | 315002 | Flart washer 130 x 254 x 15 | 1 | | | | |
| 13 | 622969 | Double ring \varnothing 22 x 26 x 3 | 1 | | | | |
| 14 | 431106 | Lock pin | 1 | | | | |
| 15 | 429803 | Seat ring | 1 | | | | |

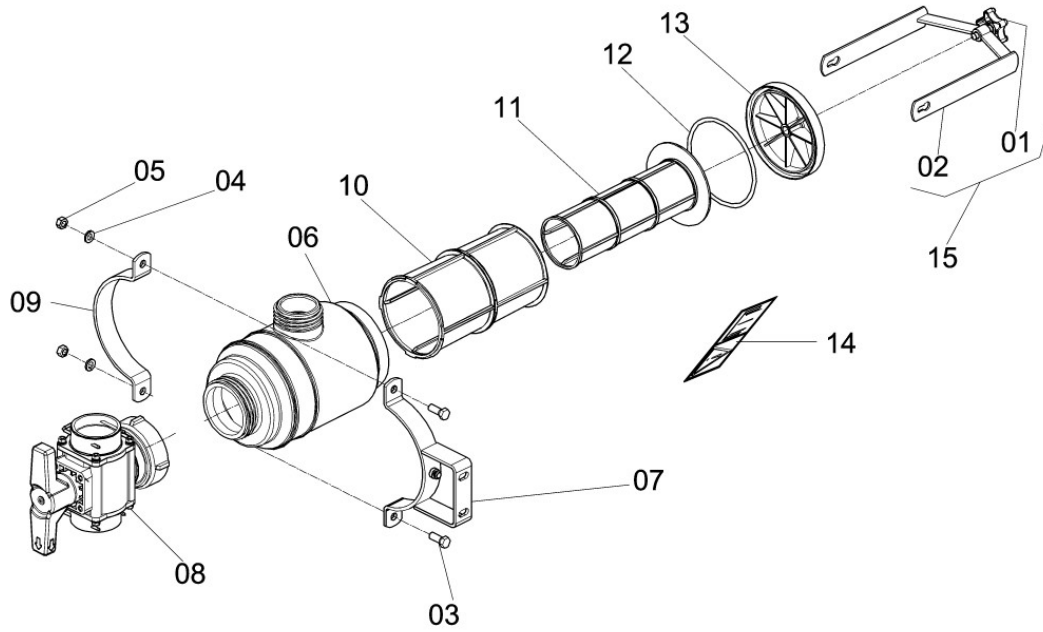
MECHANICAL AGITATOR 2005 - 02



MM-27

| Item | CODE | DESCRIPTION | Qty. | Item | CODE | DESCRIPTION | Qty. |
|------|--------|---|------|------|------|-------------|------|
| 00 | 543348 | Mechanical agitator 2005 - 02 | 1 | | | | |
| 01 | 102848 | Agitator propeller | 1 | | | | |
| 02 | 345272 | Internal flange | 1 | | | | |
| 03 | 408666 | Bearing spacer bushing | 1 | | | | |
| 04 | 418046 | Ceramic ring | 1 | | | | |
| 05 | 513838 | Agitator body | 1 | | | | |
| 06 | 514612 | Agitator seal joint | 2 | | | | |
| 07 | 521666 | Lock washer M6 | 5 | | | | |
| 08 | 559849 | Propeller shaft | 1 | | | | |
| 09 | 603522 | Fixed bearing with 1 ball career | 2 | | | | |
| 10 | 419416 | Square key 3/16" x 38 | 1 | | | | |
| 11 | 730309 | Hex. nut M6 x 1.00 - Steel | 5 | | | | |
| 12 | 838201 | Bearing internal protection | 1 | | | | |
| 13 | 850750 | Bearing external protection | 1 | | | | |
| 14 | 813261 | Agitator shaft | 1 | | | | |
| 15 | 913517 | Snap ring for shaft ø 17 | 1 | | | | |
| 16 | 916775 | Snap ring for hole ø 40 | 1 | | | | |
| 17 | 932038 | Mechanic seal - Viton 42012 - stainless steel | 1 | | | | |

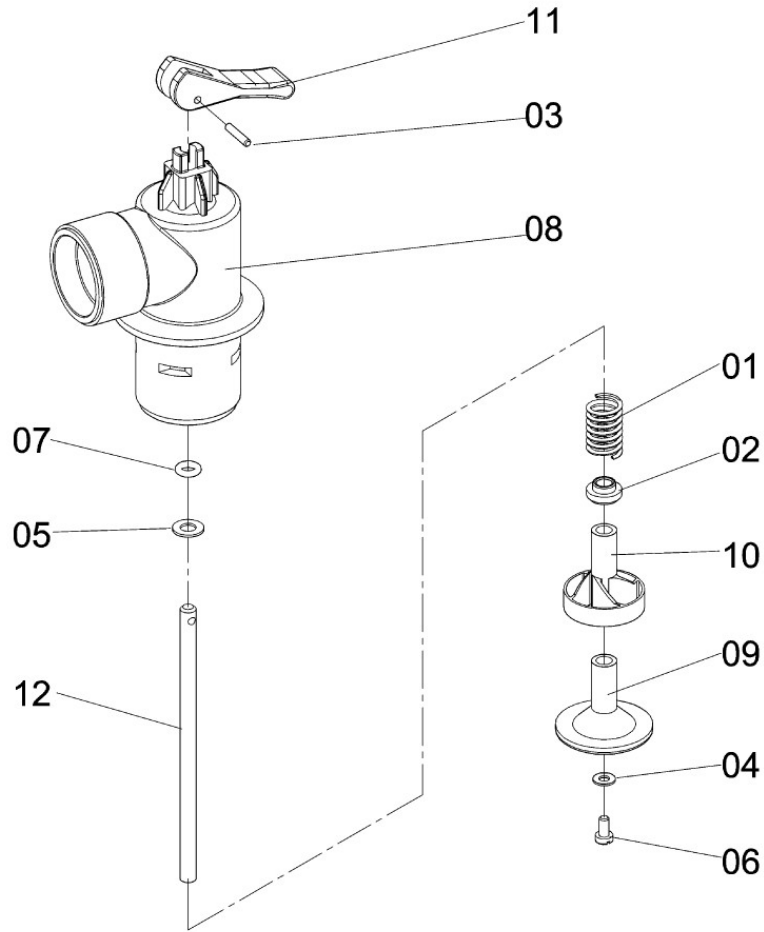
SUCTION FILTER WITH VALVE 200 L/MIN



F-30

| Item | CODE | DESCRIPTION | Qty. | Item | CODE | DESCRIPTION | Qty. |
|------|--------|--|------|------|------|-------------|------|
| 00 | 279844 | Suction filter with valve 200 L/min | 1 | | | | |
| 01 | 011734 | Bolt with knob | 1 | | | | |
| 02 | 817403 | Handle | 1 | | | | |
| 03 | 168070 | Hex. head bolt M 10 x 25 x 1,25 | 2 | | | | |
| 04 | 209395 | Lock washer M10 | 2 | | | | |
| 05 | 907030 | Hex. nut M10 x 1.25 | 2 | | | | |
| 06 | 941336 | Suction filter body | 1 | | | | |
| 07 | 732115 | Half-strap with support | 1 | | | | |
| 08 | 287953 | 3-way valve - Model B | 1 | | | | |
| 09 | 817379 | Suction filter half-strap | 1 | | | | |
| 10 | 817346 | Double filtering element 430 | 1 | | | | |
| 11 | 817353 | Triple filtering element 820 with flange | 1 | | | | |
| 12 | 472597 | Packing ring ø 136 | 1 | | | | |
| 13 | 817395 | Cover with seat | 1 | | | | |
| 14 | 379230 | Sticker: "Read Operator's Manual - Horizontal" | 1 | | | | |
| 15 | 834069 | Handle assembly | | | | | |

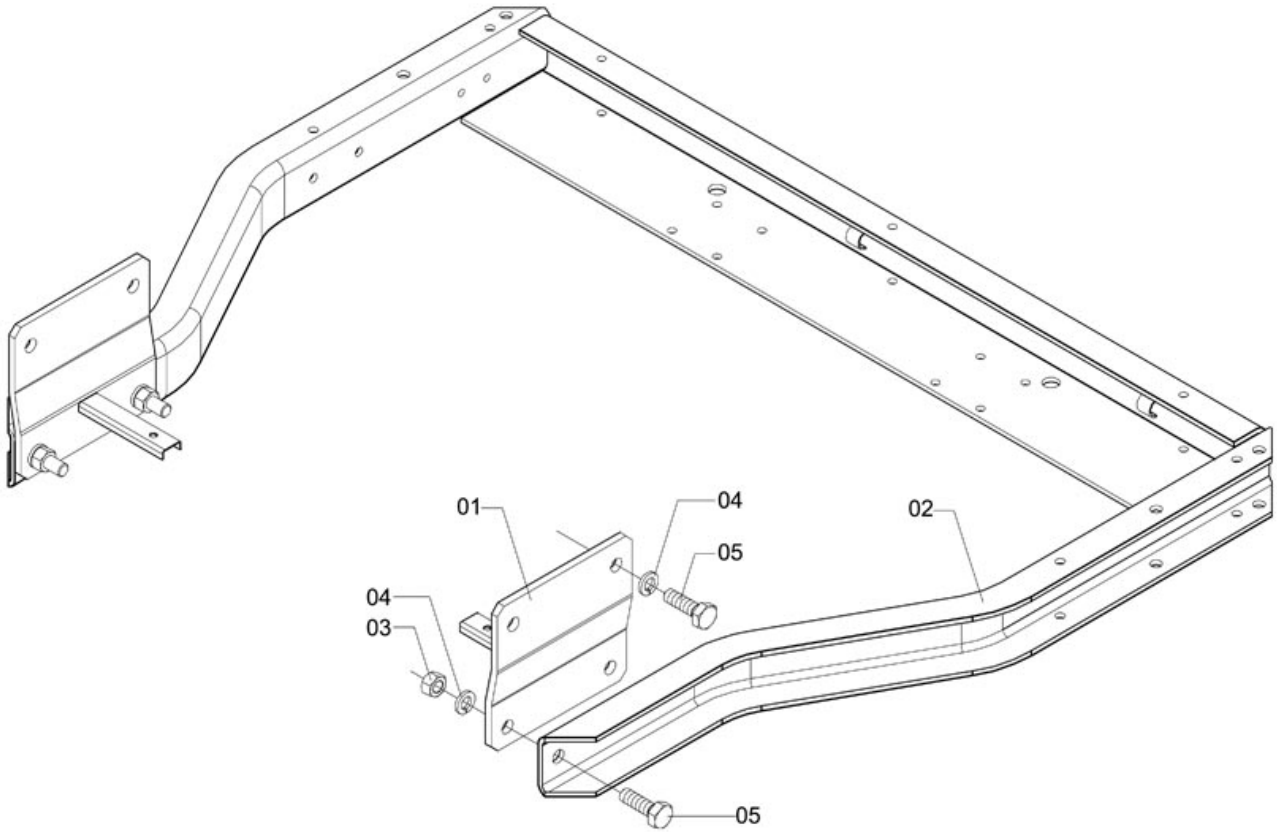
DIRECTIONAL VALVE



CV-167

| Item | CODE | DESCRIPTION | Qty. | Item | CODE | DESCRIPTION | Qty. |
|------|--------|---|------|------|------|-------------|------|
| 00 | 054395 | Directional valve | 1 | | | | |
| 01 | 044057 | Compression spring 12.7 | 1 | | | | |
| 02 | 048199 | Seal | 1 | | | | |
| 03 | 049858 | Lever pin | 1 | | | | |
| 04 | 050187 | Flat washer 43 x 90 x 8 | 1 | | | | |
| 05 | 050195 | Flat washer 64 x 125 x 95 stainless steel | 1 | | | | |
| 06 | 050211 | Screw M4 x 8 | 1 | | | | |
| 07 | 050237 | O-ring OR2-108 | 1 | | | | |
| 08 | 054403 | Valve body | 1 | | | | |
| 09 | 054429 | Piston cup | 1 | | | | |
| 10 | 054437 | Guide | 1 | | | | |
| 11 | 054445 | Rinse nozzle lever | 1 | | | | |
| 12 | 054452 | Spring Guide Pin | 1 | | | | |

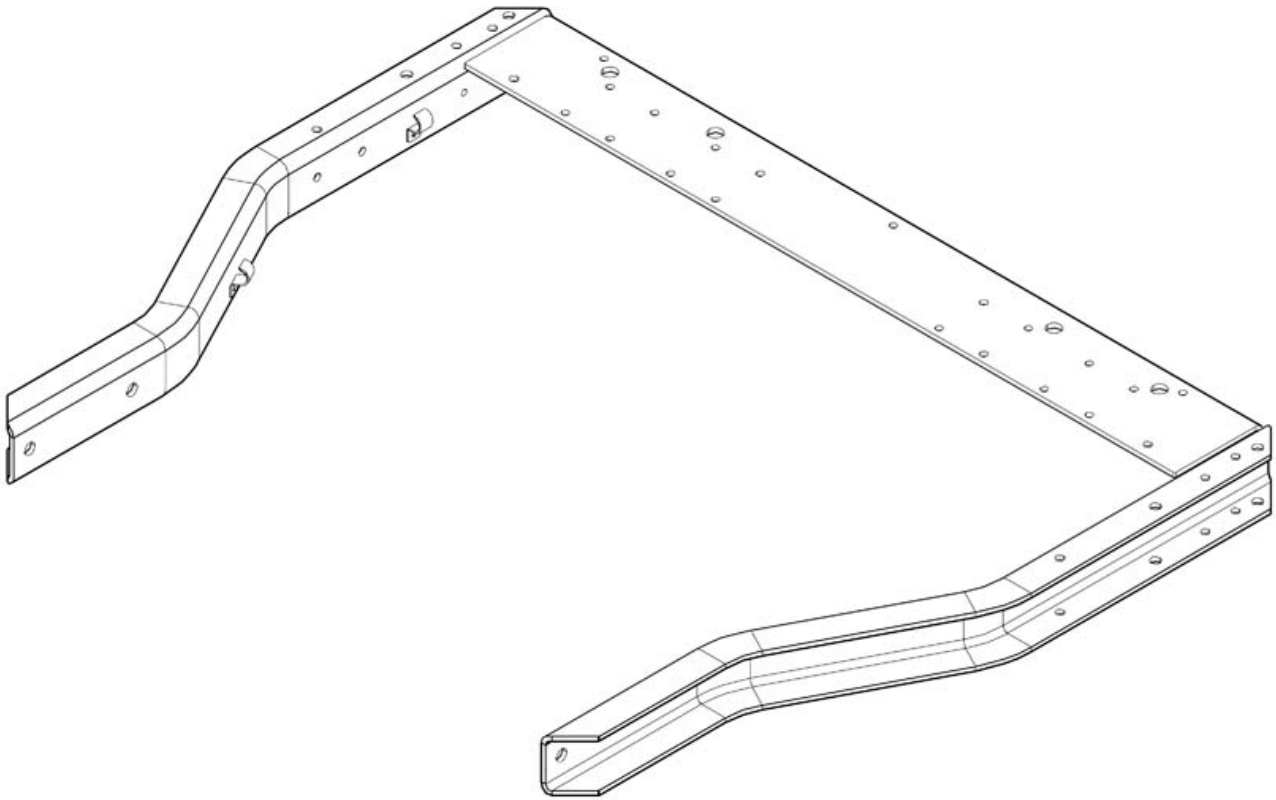
REAR BUMPER ASSEMBLY



C-201

| Item | CODE | DESCRIPTION | Qty. | Item | CODE | DESCRIPTION | Qty. |
|------|--------|---------------------------|------|------|------|-------------|------|
| 00 | 054320 | Rear bumper assembly | 1 | | | | |
| 01 | 053983 | Bumper coupling | 2 | | | | |
| 02 | 325258 | Rear bumper | 1 | | | | |
| 03 | 742015 | Nut M16 x 1.50 | 4 | | | | |
| 04 | 764142 | Lock washer M16 | 8 | | | | |
| 05 | 984963 | Hex. bolt M16 x 50 x 1.50 | 8 | | | | |

REAR BUMPER

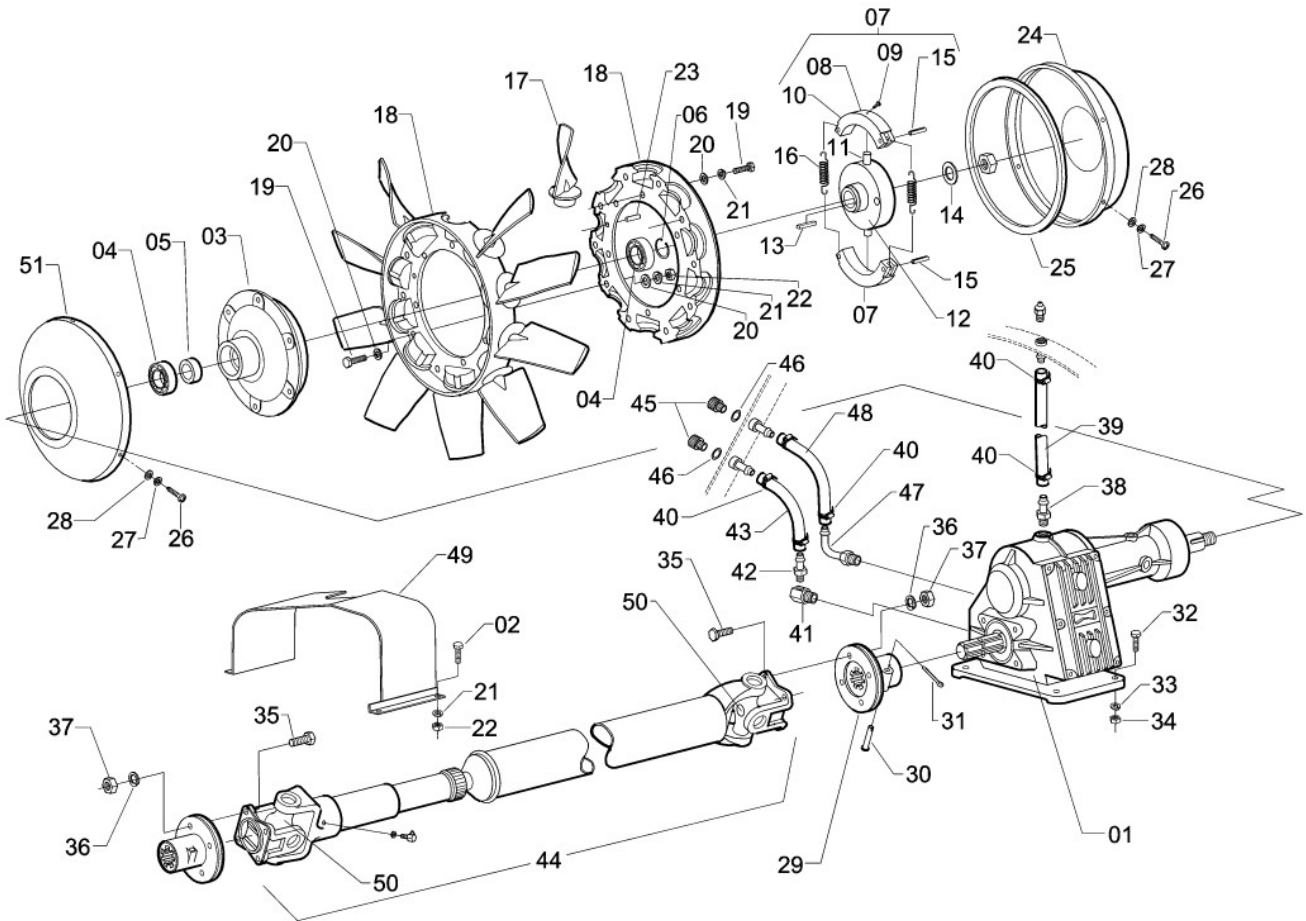


C-188

| Item | CODE | DESCRIPTION | Qty. |
|------|--------|-------------|------|
| 00 | 325258 | Rear bumper | 1 |

| Item | CODE | DESCRIPTION | Qty. |
|------|------|-------------|------|
| | | | |

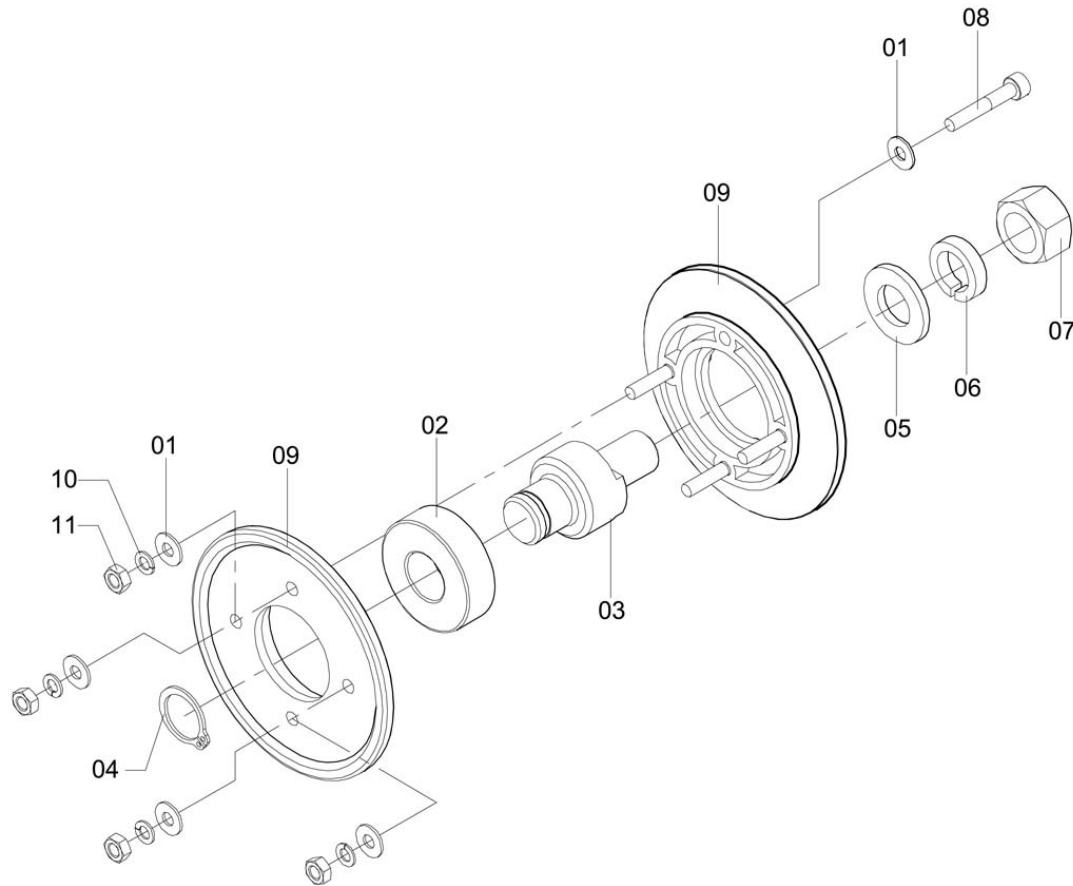
MECHANICAL TRANSMISSION



TMT-27

| Item | CODE | DESCRIPTION | Qty. | Item | CODE | DESCRIPTION | Qty. |
|------|--------|---|------|------|--------|---------------------------------|------|
| 00 | 055061 | Mechanical transmission | 1 | 26 | 907584 | Screw 3/16" UNC x 5/16" | 10 |
| 01 | 054510 | Gearbox assembly | 1 | 27 | 520676 | Lock washer M5 | 10 |
| 02 | 912667 | Bolt 5/16" x 18 UNC x 7/8 | 3 | 28 | 501692 | Flat washer 52 x 120 x 12 | 10 |
| 03 | 435412 | Flange hub | 1 | 29 | 431346 | Grooved hub | 1 |
| 04 | 910182 | Fixed bearing NSK 6206 | 2 | 30 | 435487 | Pin \varnothing 12 x 55 | 1 |
| 05 | 435420 | Spacer bushing | 1 | 31 | 427294 | Cotter pin \varnothing 4 x 25 | 1 |
| 06 | 910174 | Snap ring for hole \varnothing 62 | 1 | 32 | 841528 | Hex. bolt 3/8" UNC x 1.1/2" | 4 |
| 07 | 435578 | Centrifugal braking driver | 2 | 33 | 908566 | Lock washer \varnothing 3/8" | 4 |
| 08 | 420323 | Braking driver canvas | 2 | 34 | 912774 | Hex. nut 3/8" - 16 UNC | 4 |
| 09 | 519769 | Rivet Pop - \varnothing 4.0 x 10.2 | 8 | 35 | 829416 | Bolt M-10 x 35 x 1.5 | 8 |
| 10 | 435586 | Centrifugal mass | 2 | 36 | 209395 | Lock washer M10 | 8 |
| 11 | 435438 | Pin 40 | 2 | 37 | 829499 | Nut M-10 x 1.5 | 8 |
| 12 | 435446 | Drive hub | 1 | 38 | 435495 | Fitting 1/2" BSPT | 1 |
| 13 | 015305 | Square key 5/16" x 30 | 1 | 39 | 106724 | Hose \varnothing 1/2" x 510 | 1 |
| 14 | 546895 | Flat washer 204 x 320 x 15 | 1 | 40 | 107664 | Clamp D14-22 - stainless steel | 6 |
| 15 | 917369 | Flexible pin (heavy) 3 x 22 | 4 | 41 | 435529 | Intermediate fitting | 1 |
| 16 | 728923 | Traction spring \varnothing 15 x LO= 47 | 2 | 42 | 435537 | Fitting 1/4" BSP | 1 |
| 17 | 435453 | Fan blade \varnothing 850 (inverted) | 10 | 43 | 127787 | Hose \varnothing 1/2" | 1 |
| 18 | 018663 | Blade fastening flange (outer) | 2 | 44 | 435545 | PTO shaft 1420 | 1 |
| 19 | 721704 | Hex. bolt 5/16" UNC 1.1/4" | 16 | 45 | 213736 | Plug 1/2" BSP | 2 |
| 20 | 013433 | Flat washer | 26 | 46 | 210146 | O-ring OR1-117 | 2 |
| 21 | 519736 | Lock washer M8 | 19 | 47 | 441196 | Elbow 1/2" - 90° | 1 |
| 22 | 912758 | Hex. nut 5/16" - 18 UNC | 13 | 48 | 420331 | Hose \varnothing 1/2" x 290 | 1 |
| 23 | 625533 | Flexible pin (heavy) 4 x 24 | 1 | 49 | 441709 | Transmission hood | 1 |
| 24 | 018648 | Cap | 1 | 50 | 823971 | Cross | 2 |
| 25 | 018655 | Packing 1015 | 1 | 51 | 848911 | Fan guard cap | 1 |

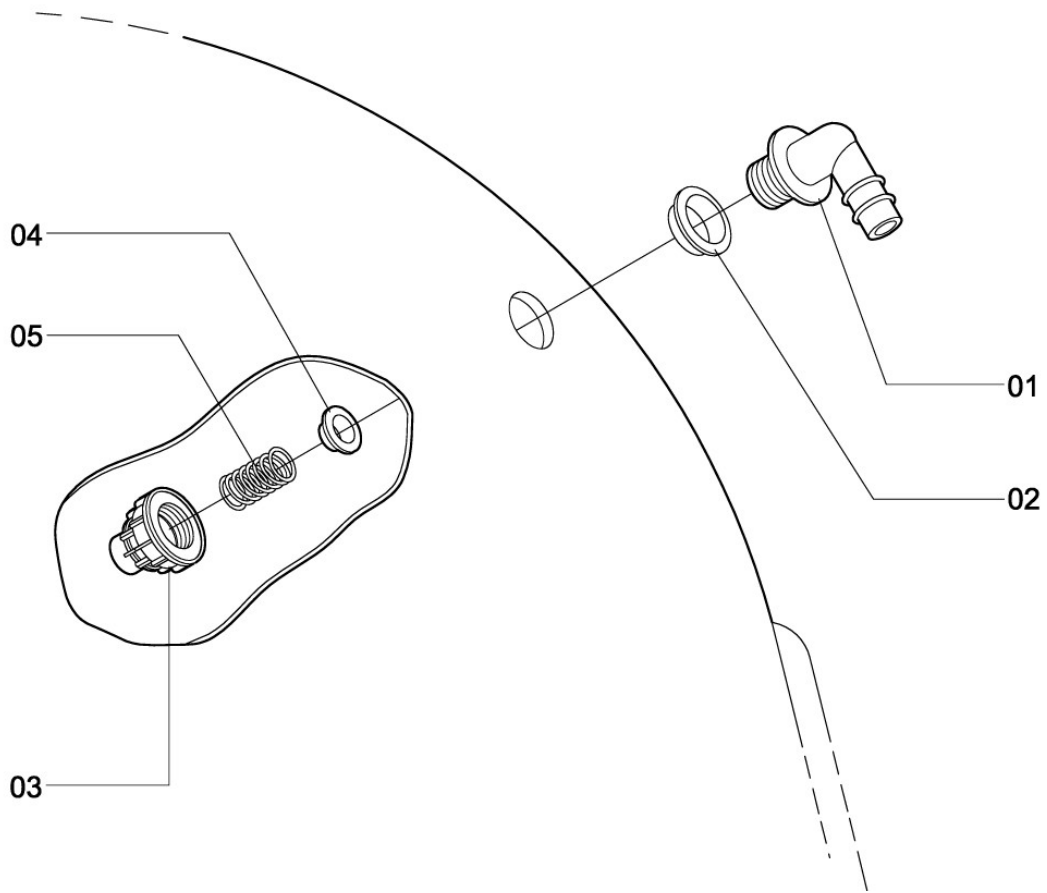
TIGHTENING PULLEY ASSEMBLY 78 (SHAFT Ø 15 X 50,5)



LE-14

| Item | CODE | DESCRIPTION | Qty. | Item | CODE | DESCRIPTION | Qty. |
|------|---------|---|------|------|------|-------------|------|
| 00 | 645416 | Tightening pulley assembly 78 (Shaft ø 15 x 50,5) | 1 | | | | |
| 01 | 508515 | Flat washer no. 43 x 102 x 8 | 8 | | | | |
| 02 | 328781 | Fixed bearing | 1 | | | | |
| 03 | 817627 | Tightening pulley shaft 15 x 50.5 | 1 | | | | |
| 04 | 910851 | Snap ring for shaft 15 | 1 | | | | |
| 05 | 818112 | Flat washer 130 x 240 x 30 | 1 | | | | |
| 06 | 908582 | Lock washer 1/2" | 1 | | | | |
| 07 | 912790 | Hex. nut 1/2" - 13 UNC | 1 | | | | |
| 08 | 1148396 | Screw M4 X 0.7 MM 25 Comp | 4 | | | | |
| 09 | 644641 | Pulley disk ø 78 - 1A | 2 | | | | |
| 10 | 520700 | Lock washer M4 | 4 | | | | |
| 11 | 551523 | Hex. nut M-4 x 0.7 stainless steel | 4 | | | | |

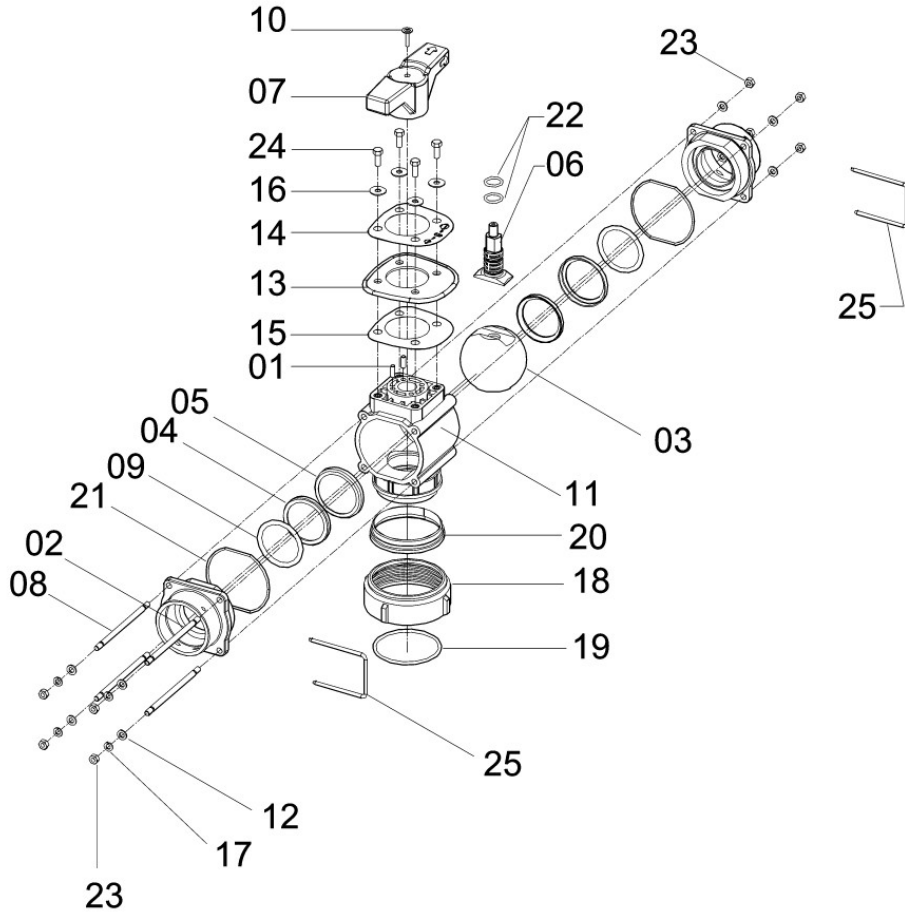
CHEMICALS MIXER NONRETURN VALVE



CV-99

| Item | CODE | DESCRIPTION | Qty. | Item | CODE | DESCRIPTION | Qty. |
|------|--------|---------------------------------|------|------|------|-------------|------|
| 00 | 573626 | Chemicals mixer nonreturn valve | 1 | | | | |
| 01 | 573618 | Elbow 1.1/4" BSP x 90° | 1 | | | | |
| 02 | 573634 | Double seal | 1 | | | | |
| 03 | 573691 | Valve base | 1 | | | | |
| 04 | 573683 | Spring guide | 1 | | | | |
| 05 | 535831 | Compression spring | 1 | | | | |

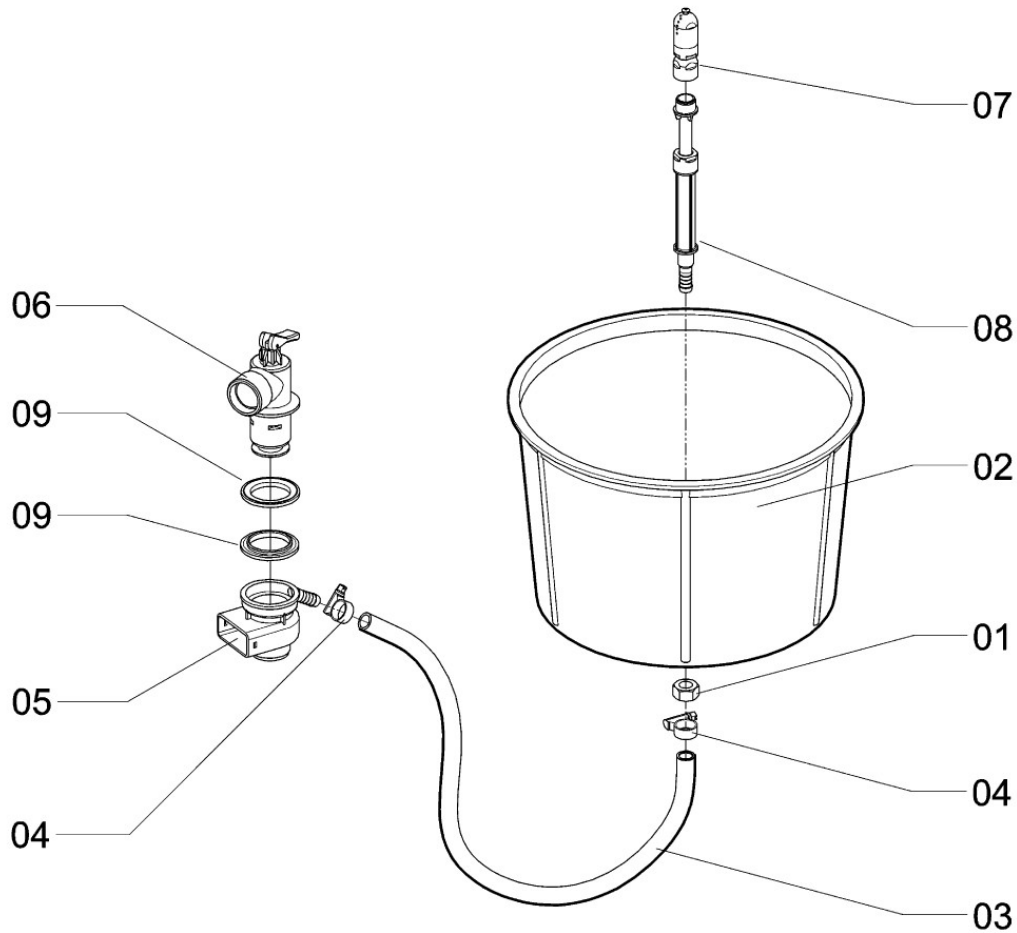
3-WAY VALVE - MODEL B



CV-244

| Item | CODE | DESCRIPTION | Qty. | Item | CODE | DESCRIPTION | Qty. |
|------|--------|---|------|------|------|-------------|------|
| 00 | 287953 | 3-way valve - Model B | 1 | | | | |
| 01 | 048132 | Stop pin | 2 | | | | |
| 02 | 065912 | Valve Flange | 2 | | | | |
| 03 | 065953 | Ball - 3-way | 1 | | | | |
| 04 | 065995 | Seal seat | 2 | | | | |
| 05 | 066001 | Seat guide | 2 | | | | |
| 06 | 066027 | Core dragging rod | 1 | | | | |
| 07 | 066035 | Level | 1 | | | | |
| 08 | 066076 | Stud bolt M6 x 120 x 1,00 - Inox | 4 | | | | |
| 09 | 096032 | Packing ring \varnothing 60,8 x 50,2 | 2 | | | | |
| 10 | 281790 | Self-tapping screw \varnothing 4 x 20 | 1 | | | | |
| 11 | 287540 | 3-way Valve Body - Assembly | 1 | | | | |
| 12 | 358267 | Flat washer 64 x 125 x 16 | 8 | | | | |
| 13 | 378778 | Stickers holder | 1 | | | | |
| 14 | 378786 | Sticker: "Valve Operation" (Right) | 1 | | | | |
| 15 | 378794 | Sticker: "Valve Operation" (Left) | 1 | | | | |
| 16 | 413468 | Flat washer 68 x 190 x 12 | 4 | | | | |
| 17 | 521666 | Lock washer M6 | 4 | | | | |
| 18 | 534453 | Union nut | 1 | | | | |
| 19 | 592709 | Packing ring OR1-233 | 1 | | | | |
| 20 | 593673 | Lock ring | 1 | | | | |
| 21 | 737759 | O-ring OR1-151 | 2 | | | | |
| 22 | 763649 | O-ring OR1-115 | 2 | | | | |
| 23 | 810689 | Hex. nut M6 x 1.00 | 8 | | | | |
| 24 | 829507 | Hex. head bolt M6 x 16 x 1.00 | 4 | | | | |
| 25 | 970103 | Lock 56 | 2 | | | | |

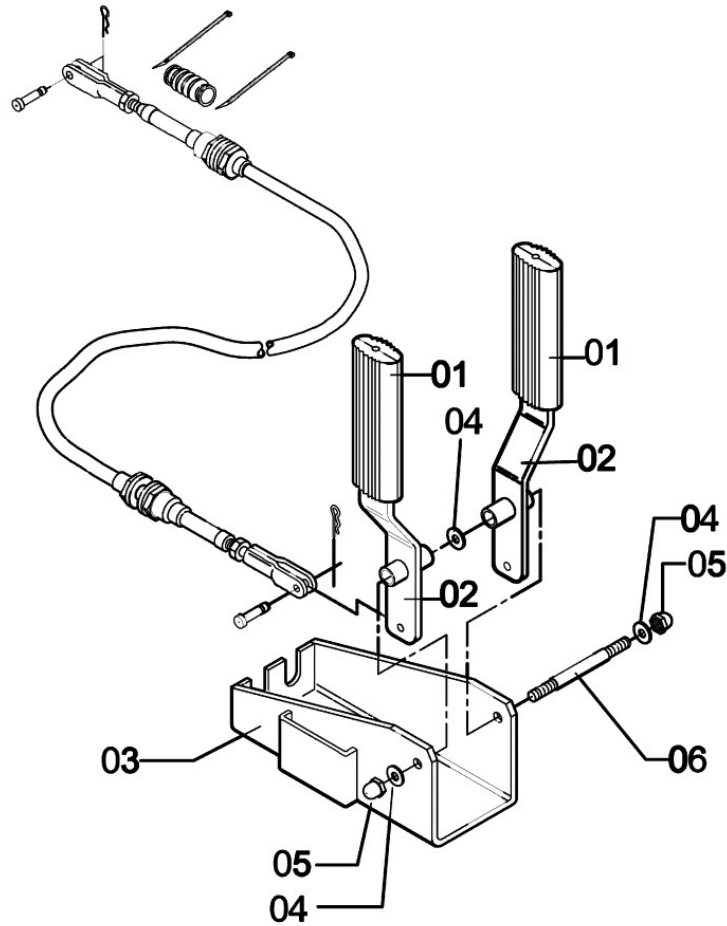
CHEMICAL CONTAINER RINSE NOZZLE KIT



KIT-24

| Item | CODE | DESCRIPTION | Qty. | Item | CODE | DESCRIPTION | Qty. |
|------|--------|-------------------------------------|------|------|------|-------------|------|
| 00 | 134239 | Chemical container rinse nozzle kit | 1 | | | | |
| 01 | 938498 | Hex. nut M16 x 2.00 | 1 | | | | |
| 02 | 134007 | Strainer | 1 | | | | |
| 03 | 071886 | Hose 12.7 (1/2") x 600 | 1 | | | | |
| 04 | 107664 | Clamp D14-22 - stainless steel | 2 | | | | |
| 05 | 054411 | Valve fastener | 1 | | | | |
| 06 | 054395 | Directional valve | 1 | | | | |
| 07 | 071944 | Rinse nozzle | 1 | | | | |
| 08 | 088237 | Chemical container rinse nozzle rod | 1 | | | | |
| 09 | 088245 | Packing ring | 2 | | | | |

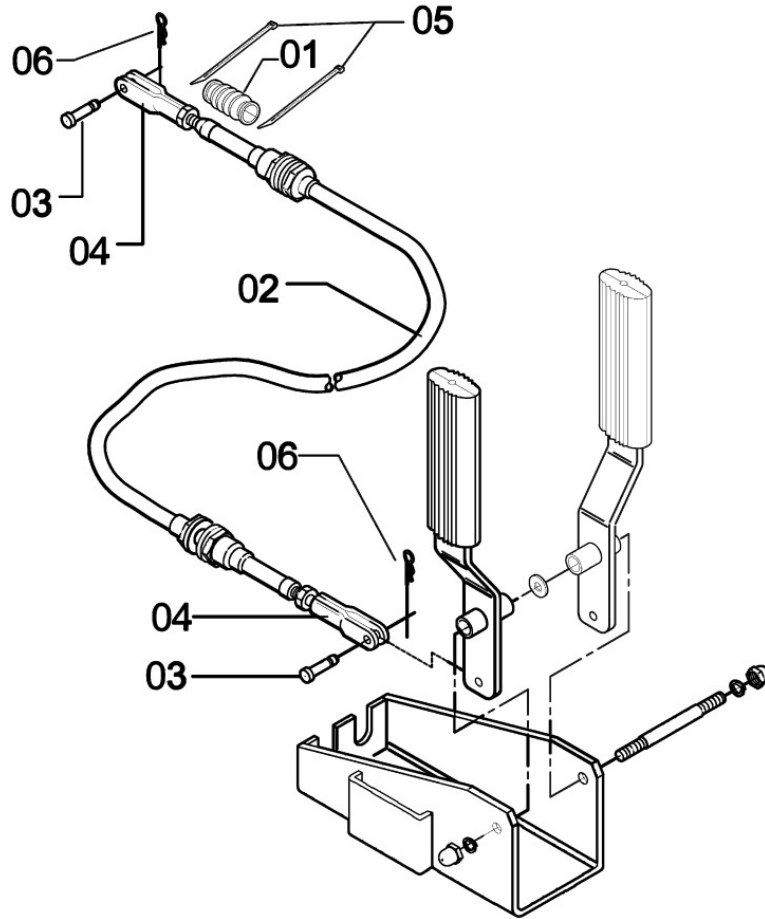
SPRAY CONTROL ACTUATOR



CV-120

| Item | CODE | DESCRIPTION | Qty. | Item | CODE | DESCRIPTION | Qty. |
|------|--------|------------------------|------|------|------|-------------|------|
| 00 | 431692 | Spray control actuator | 1 | | | | |
| 01 | 002683 | Handrip | 2 | | | | |
| 02 | 356741 | Lever | 2 | | | | |
| 03 | 431700 | Lever support | 1 | | | | |
| 04 | 013433 | Flat washer | 3 | | | | |
| 05 | 945832 | Box nut M8 x 1,0 | 2 | | | | |
| 06 | 947762 | Stud bolt | 1 | | | | |

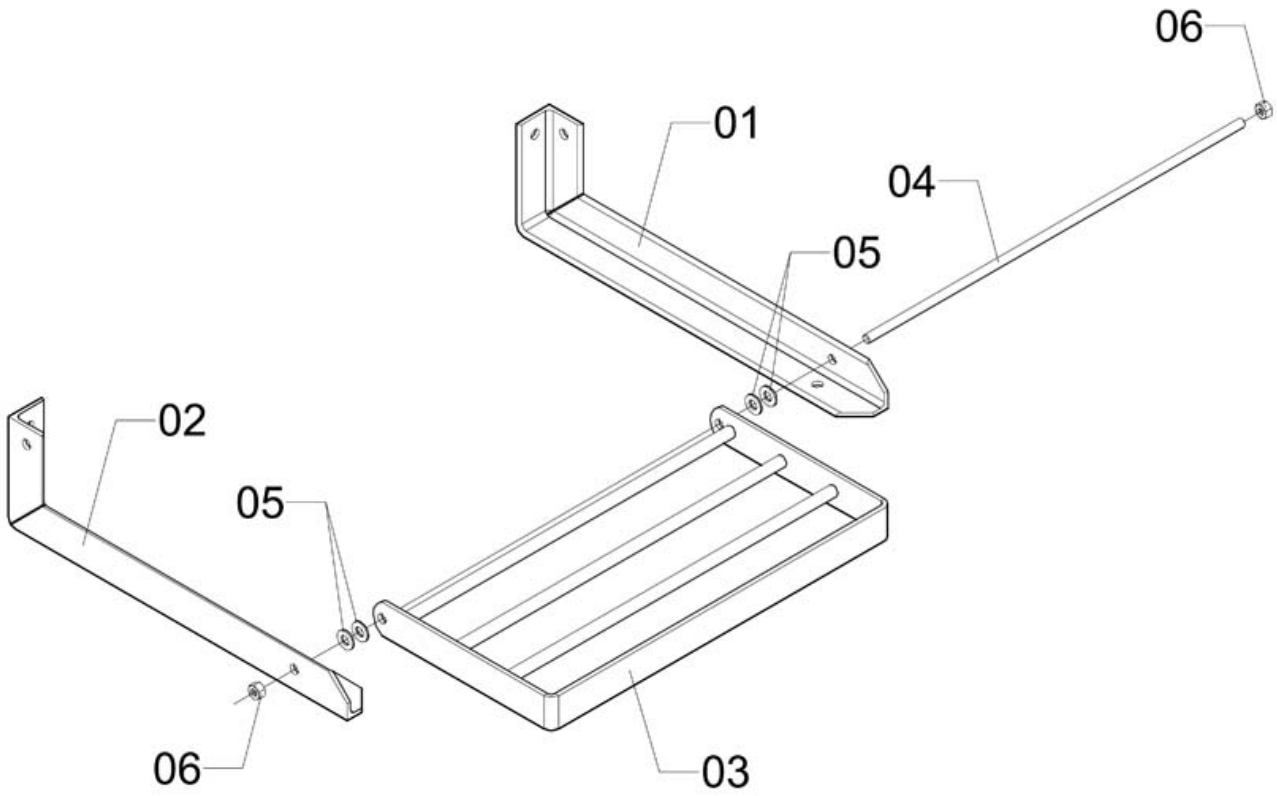
CABLE ASSEMBLY



CV-121

| Item | CODE | DESCRIPTION | Qty. | Item | CODE | DESCRIPTION | Qty. |
|------|--------|--|------|------|------|-------------|------|
| 00 | 356808 | Cable assembly | 1 | | | | |
| 01 | 058164 | Bellows protector | 1 | | | | |
| 02 | 877373 | Control flexible handgrip | 1 | | | | |
| 03 | 431510 | Joint pin | 2 | | | | |
| 04 | 458323 | Coupling end 53.5 | 2 | | | | |
| 05 | 825406 | Hose tie T 018 R | 2 | | | | |
| 06 | 942904 | Lock cotter pin \varnothing 2.1 x 84.5 | 2 | | | | |

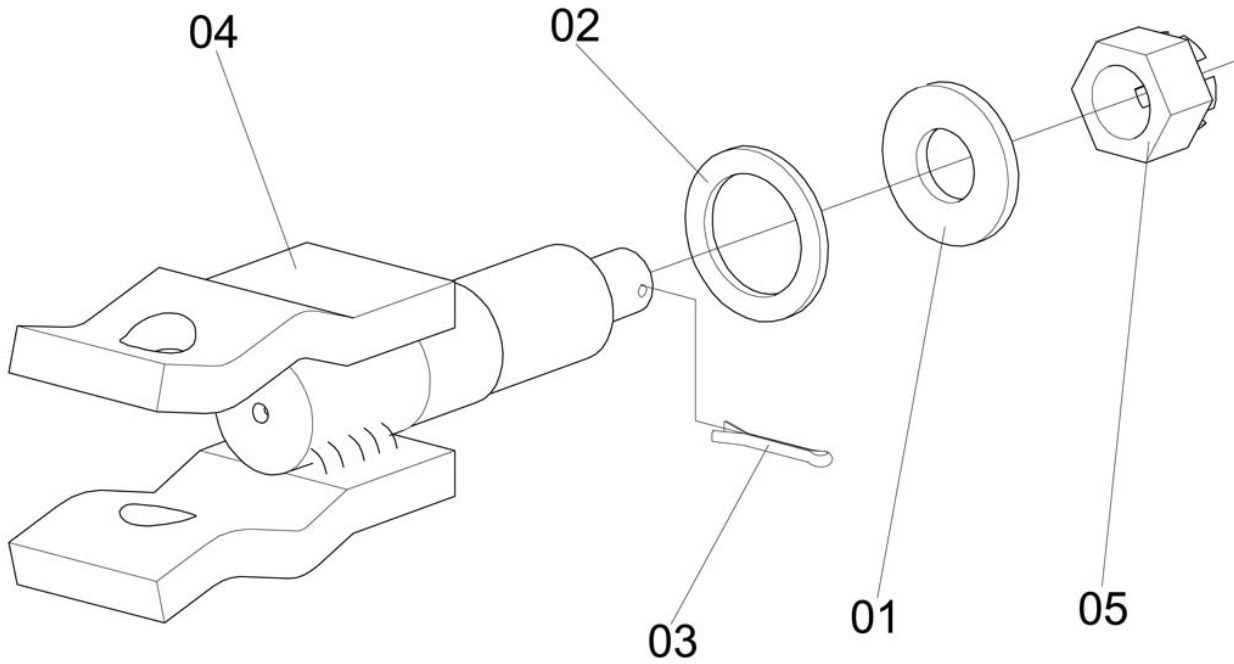
PLATFORM



C-193

| Item | CODE | DESCRIPTION | Qty. | Item | CODE | DESCRIPTION | Qty. |
|------|--------|-------------------------------|------|------|------|-------------|------|
| 00 | 434472 | Platform | 1 | | | | |
| 01 | 434480 | Right support | 1 | | | | |
| 02 | 434498 | Left support | 1 | | | | |
| 03 | 434506 | Platform base | 1 | | | | |
| 04 | 434530 | Stud bolt 3/8" - 16 UNC x 500 | 1 | | | | |
| 05 | 623884 | Flat washer 105 x 210 x 20 | 4 | | | | |
| 06 | 912774 | Hex. nut 3/8" - 16 UNC | 2 | | | | |

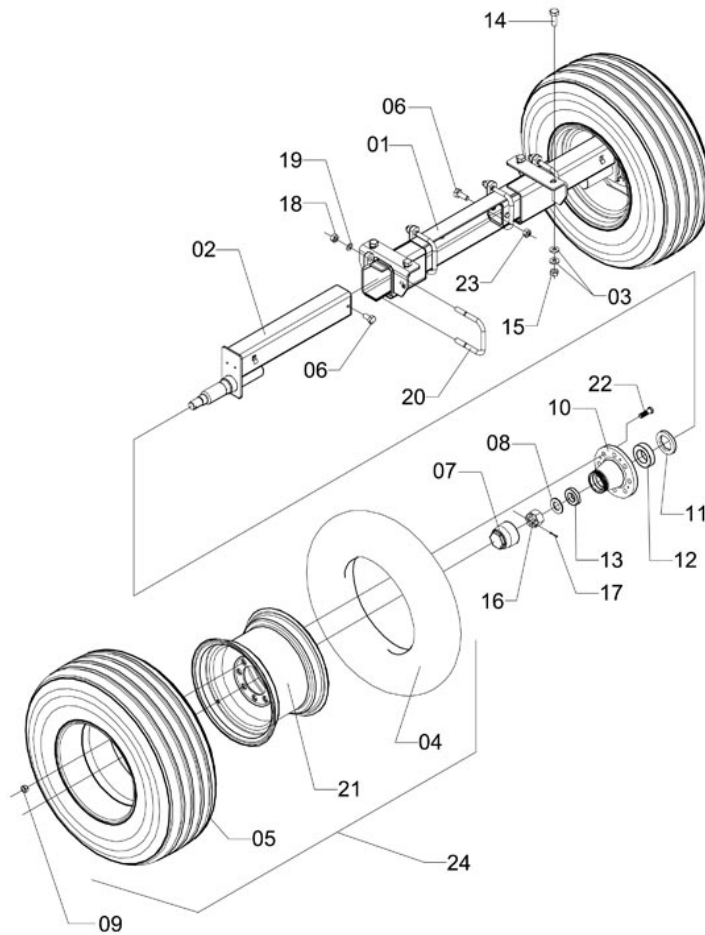
TRAILER HITCH



C-89

| Item | CODE | DESCRIPTION | Qty. | Item | CODE | DESCRIPTION | Qty. |
|------|--------|---|------|------|------|-------------|------|
| 00 | 487215 | Trailer hitch | 1 | | | | |
| 01 | 001982 | Flat washer 300 x 650 x 63 | 1 | | | | |
| 02 | 007567 | Flat washer 500 x 700 x 47.5 | 1 | | | | |
| 03 | 209783 | Cotter pin \varnothing 3/16" x 1.1/2" | 1 | | | | |
| 04 | 620815 | Trailer hitch | 1 | | | | |
| 05 | 625160 | Castle nut 1.1/8" - 7 UNC | 1 | | | | |

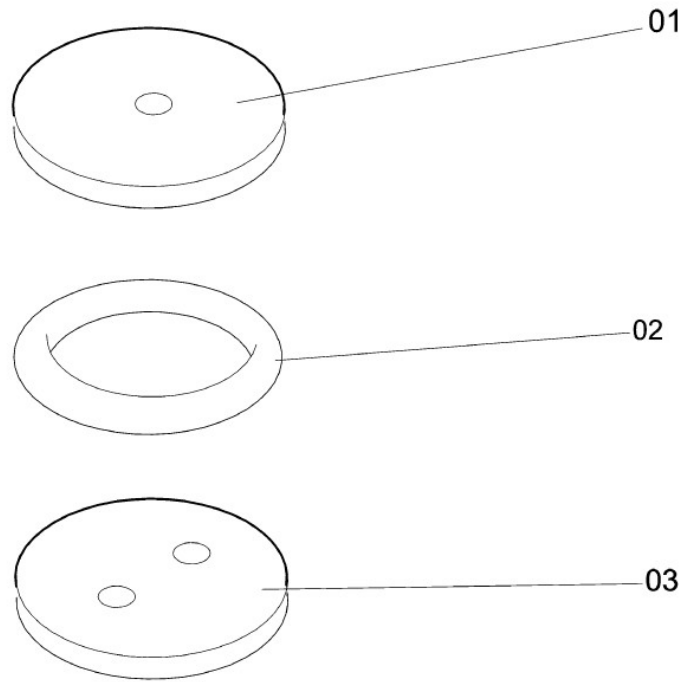
ADJUSTABLE AXLE N° 13



EX-128

| Item | CODE | DESCRIPTION | Qty. | Item | CODE | DESCRIPTION | Qty. |
|------|--------|---|------|------|------|--|------|
| 00 | 997551 | Adjustable axle n° 13 | 1 | | | Sticker: "Minimum Track Width Recommended" | |
| 01 | 997569 | Axle fixed body | 1 | | | | |
| 02 | 997619 | Axle moving end | 2 | | | | |
| 03 | 881300 | Flat washer 170 x 380 x 3.0 | 8 | | | | |
| 04 | 323402 | Inner tube 11 L - 15 | 2 | | | | |
| 05 | 429761 | Tire 11L - 15 - 10 ply | 2 | | | | |
| 06 | 757559 | Hex. bolt M10 x 30 x 1.25 | 4 | | | | |
| 07 | 610188 | Hub cap | 2 | | | | |
| 08 | 881334 | Flat washer 330 x 650 x 31 | 2 | | | | |
| 09 | 700377 | Lug nut \varnothing 5/8" - 18 UNF | 16 | | | | |
| 10 | 715706 | Wheel hub | 2 | | | | |
| 11 | 715789 | Retainer 60 x 90.30 x 10 | 2 | | | | |
| 12 | 715805 | Cone bearing | 2 | | | | |
| 13 | 717173 | Cone bearing | 2 | | | | |
| 14 | 984963 | Hex. bolt M16 x 50 x 1.50 | 4 | | | | |
| 15 | 044107 | Parlock hex. nut M16 x 1.50 | 4 | | | | |
| 16 | 831347 | Castle nut M30 x 2" | 2 | | | | |
| 17 | 831354 | Cotter pin \varnothing 6.30 x 50.8 | 2 | | | | |
| 18 | 826297 | Hex. nut M-16 x 2.00 | 8 | | | | |
| 19 | 764142 | Lock washer M16 | 8 | | | | |
| 20 | 997882 | U-clip | 4 | | | | |
| 21 | 998294 | Rim 10 LB-15 with 8 holes | 2 | | | | |
| 22 | 715797 | Bolt \varnothing 5/8" x 18 UNF x 5 | 16 | | | | |
| 23 | 907030 | Hex. nut M10 x 1.25 | 2 | | | | |
| 24 | 176917 | Tire assembly 10lb-15 with 8-hole wheel | 1 | | | | |
| | 097428 | | 1 | | | | |

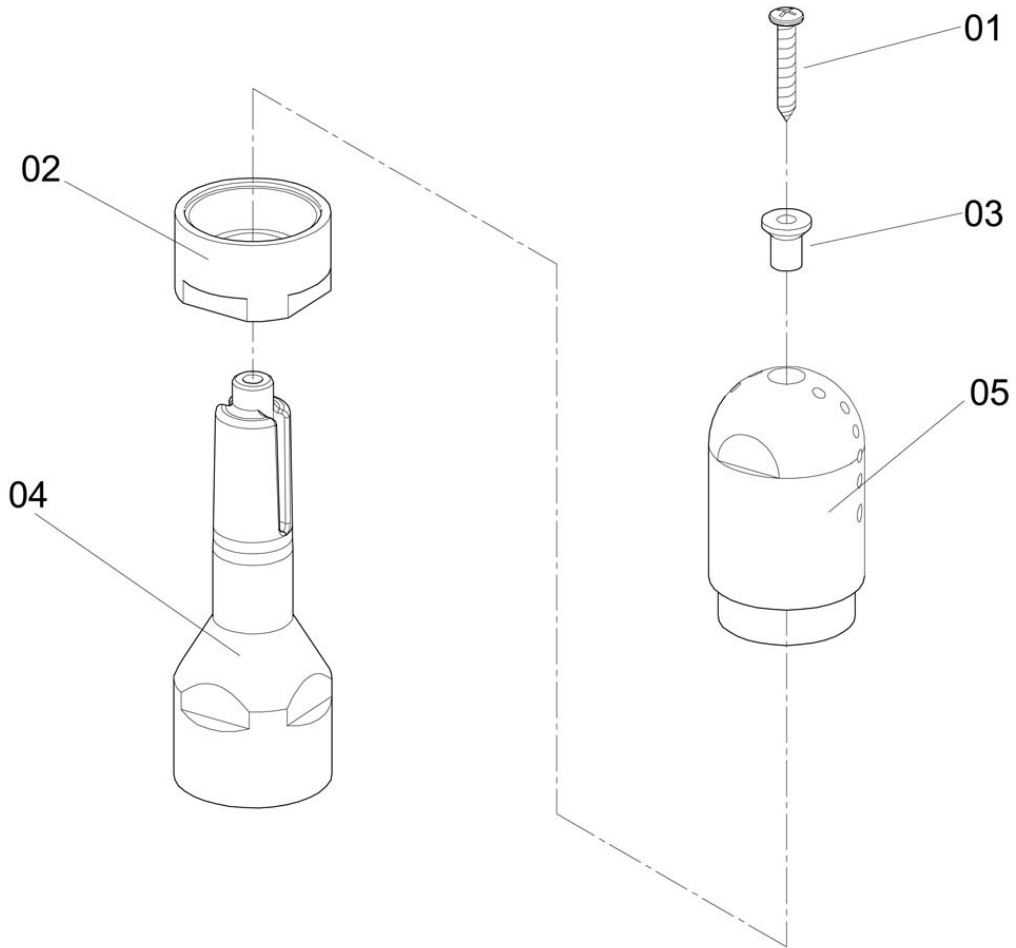
CONE NOZZLE J4-2



BC-23

| Item | CODE | DESCRIPTION | Qty. | Item | CODE | DESCRIPTION | Qty. |
|------|--------|------------------|------|------|------|-------------|------|
| 00 | 325423 | Cone nozzle J4-2 | 1 | | | | |
| 01 | 325332 | Disk J-4 | 1 | | | | |
| 02 | 642462 | Spacer ring | 1 | | | | |
| 03 | 325373 | Swirl core J-2 | 1 | | | | |

RINSE NOZZLE



KIT-75

| Item | CODE | DESCRIPTION | Qty. | Item | CODE | DESCRIPTION | Qty. |
|------|--------|---------------|------|------|------|-------------|------|
| 00 | 071944 | Rinse nozzle | 1 | | | | |
| 01 | 483628 | Bolt 2.9 x 22 | 1 | | | | |
| 02 | 059055 | Nozzle nut | 1 | | | | |
| 03 | 061119 | Bushing | 1 | | | | |
| 04 | 058909 | Nozzle core | 1 | | | | |
| 05 | 060426 | Nozzle body | 1 | | | | |