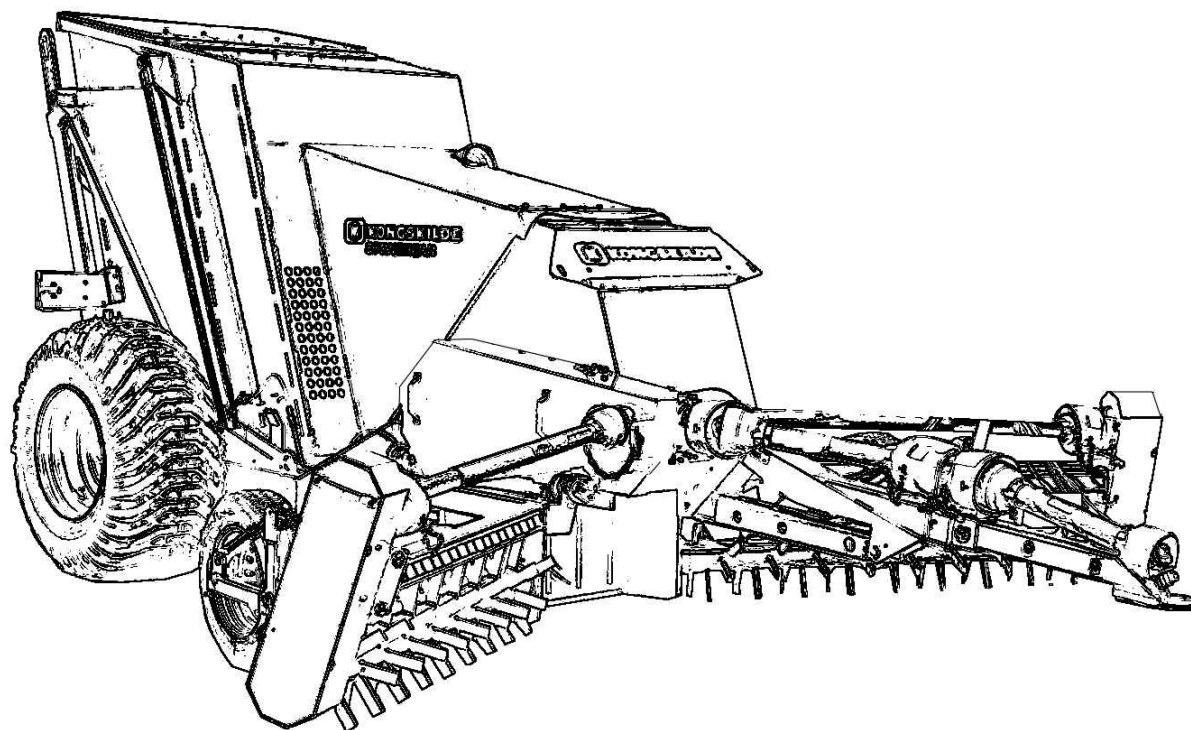
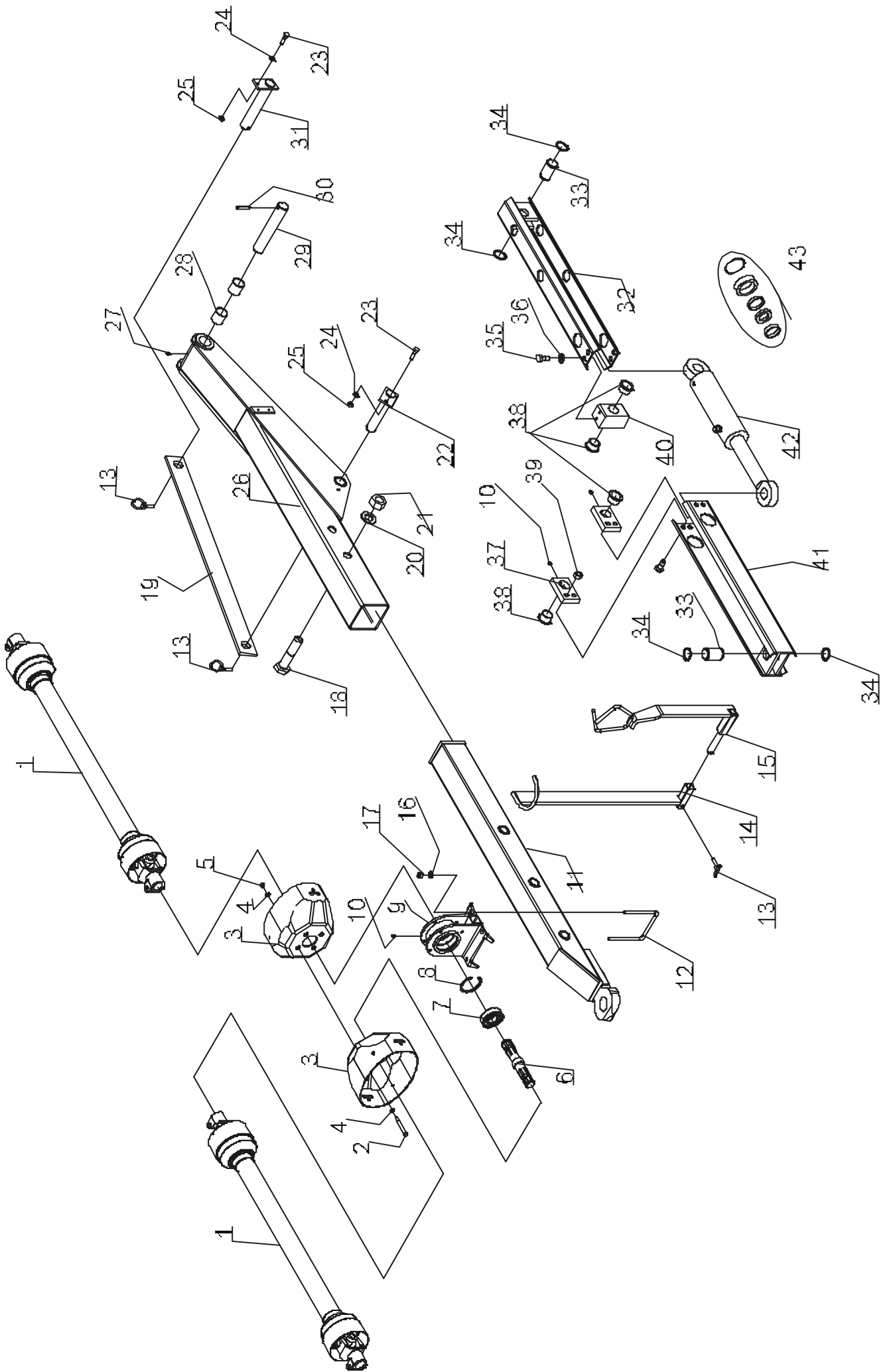


STONEBEAR 4000/5200

Stonebear



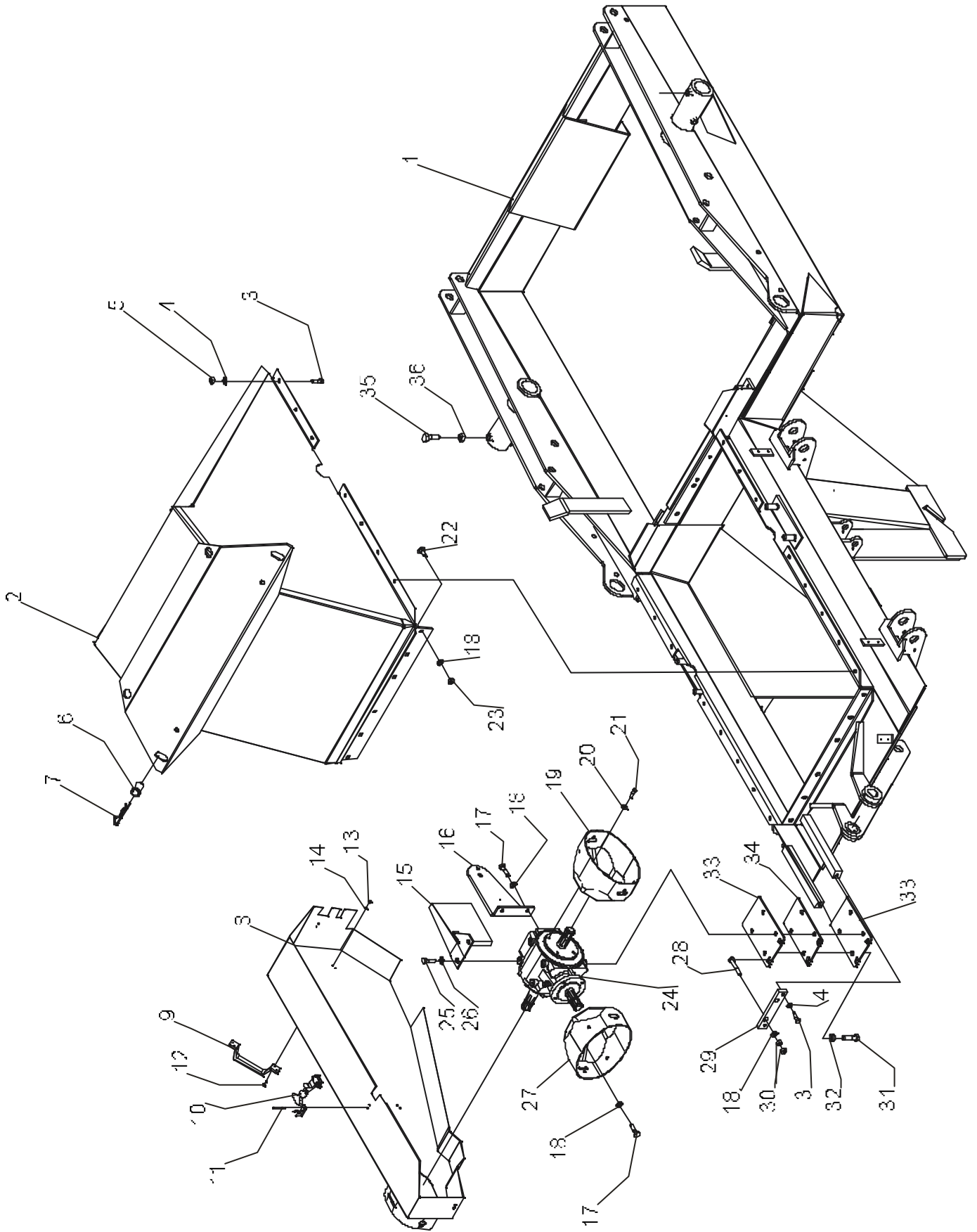
Varaosakirja
Reservdelsbok
Spare partslist
Reservededelsliste
Ersatzteilliste
Onderdelenlijst
Liste de pièce de rechange
Lista dei pezzi di ricambio



Spare parts list / STONEBEAR. Date: 2008.8.



Fig.	Pack	Serial no.	Part no.	Pieces		Notes
				SB4000	SB5200	
1			500 068 811	2	2	shaft
2			500 031 464	4	4	M8*80 hex head
3			500 068 872	2	2	guard
4			500 163 517	8	8	M8 washer DIN 440
5			500 057 550	4	4	M8 lock nut
6			500 068 134	1	1	
7			500 021 157	2	2	6307 2RS
8			500 086 140	2	2	J72*2.5 DIN 472
9			500 068 132	1	1	
10			500 030 263	1	1	M6 lubrication nipple
11			500 037 153	1	1	
12			500 068 133	2	2	U-bolt
13			500 040 150	2	2	linch pin D9
14			500 068 136	1	1	
15			500 068 135	1	1	
16			500 010 462	2	2	M12 washer
17			500 056 448	2	2	M12 lock nut
18			500 068 141	1	1	M30*160 hex head
19			500 068 138	1	1	
20			500 068 142	1	1	M30 washer
21			500 089 121	1	1	M30 lock nut
22			500 068 129	1	1	
23			500 040 702	2	2	M10*20 hex head
24			500 010 607	2	2	M10 washer
25			500 057 379	2	2	M10 lock nut
26			500 068 122	1	1	
27			500 010 761	1	1	M8 lubrication nipple
28			500 087 593	2	2	GT454040
29			500 068 123	1	1	
30			500 068 143	1	1	spring pin d 10*70 DIN 1481
31			500 068 128	1	1	
32			500 068 125	1	1	
33			500 068 130	2	2	
34			500 085 809	4	4	A40*1.75
35			500 063 135	8	8	M16*25 hex head
36			500 030 887	4	4	M16 washer
37			500 068 126	2	2	
38			500 068 131	4	4	35/39/50*22 PDE-F
39			500 053 190	4	4	M16 lock nut
40			500 068 127	1	1	
41			500 068 124	1	1	
42			500 680 513	1	1	
43			500 068 513	1	1	sealing kit



Spare parts list / STONEBEAR. Date: 2008.8.



Fig.	Pack	Serial no.	Part no.	Pieces		Notes
				SB4000	SB5200	
1			500 068 120	1	1	frame
2			500 068 121	1	1	
3			500 030 958	22	22	M10*25 hex head
4			500 010 607	22	22	M10 washer
5			500 057 379	22	22	M10 lock nut
6			500 090 256	2	2	
7			500 040 929	2	2	pin D 6*118 DIN11024
8			500 068 871	1	1	
9			500 013 239	2	2	
10			500 087 115	3	3	
11			500 095 304	12	12	draw rivet 4.0*14
12			500 030 528	12	12	M5*16 DIN 965
13			500 063 964	12	12	M5 lock nut
14				12	12	M5 washer
15			500 068 873	1	1	
16			500 068 875	1	1	
17			500 030 949	6	6	M12*25 hex head
18			500 010 462	6	6	M12 washer
19			500 068 829	1	1	cover
20			500 010 784	4	4	M8 washer
21			500 053 363	3	3	M8*20 hex head
22			500 057 229	6	6	M12*30 lock screw
23			500 056 448	6	6	M12 lock nut
24			500 680 861	1	1	COMER T-312A
25			500 063 135	2	2	M16*25 hex head
26			500 030 887	2	2	M16 washer
27			500 068 872	1	1	cover
28			500 061 943	2	2	M12*80 hex head
29			500 068 865	1	1	
30			500 030 968	4	4	M12 nut
31			500 089 310	4	4	M16*40 hex head 12.9
32			500 040 151	4	4	M16 spring washer
33			500 068 862	2	2	
34			500 068 864	1	1	
35			500 059 102	4	4	
36			500 030 124	4	4	M16 nut

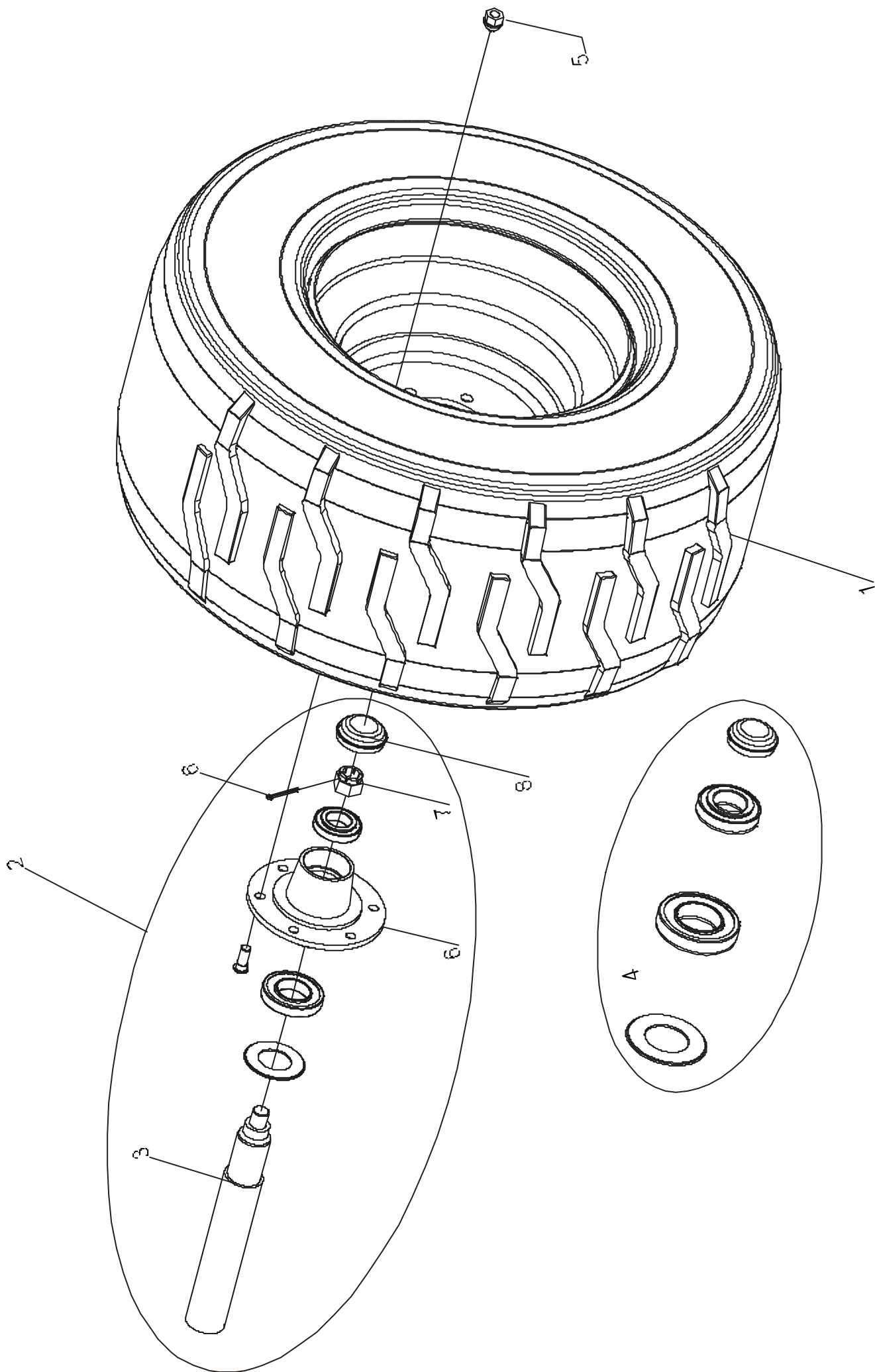


Fig.	Pack	Serial no.	Part no.	Pieces		Notes
				SB 4000	SB5200	
1			500 068 247	1		oikea,right,rechts,höger,droite
1			500 068 246	1		vasen,left,links,vänster,gauche
1			500 068 256		1	oikea,right,rechts,höger,droite
1			500 068 255		1	vasen,left,links,vänster,gauche
2			500 068 241	2		
2			500 068 260		2	
3			500 068 214	2		2211 RS
3			500 068 261		2	2212 RS
4			500 068 249	2	2	
5			500 068 250	2	2	
6			500 003 303	2	2	
7			500 068 245	1	1	oikea,right,rechts,höger,droite
7			500 068 244	1	1	vasen,left,links,vänster,gauche
7			500 068 259		1	oikea,right,rechts,höger,droite
7			500 068 258		1	vasen,left,links,vänster,gauche
8				2	2	key 18*11-27
9			500 068 212	2	2	
10			500 053 463	8	8	M20 lock nut
11			500 053 942	8	8	M20 washer
12			500 068 248	8	8	M20*50 hex head
13			500 068 203	1	1	oikea,right,rechts,höger,droite
13			500 068 217	1	1	vasen,left,links,vänster,gauche
14			500 068 211	2	2	UCFC 212
15			500 053 227	8	8	M16*50 hex head
16			500 030 263	2	2	lubrication nipple M6
17			500 068 869	2	2	SPB DM=190-5/3020
18			500 068 209	10	10	XPB1600
19			500 068 842	2	2	D60/3020
20			500 040 150	4	4	linch pin D9
21			500 068 221	2	2	
22			500 068 240	4	4	
23			500 030 528	8	8	M5*16 DIN 965
24			500 013 239	2	2	
25			500 063 964	8	8	M5 lock nut
26			500 030 887	2	2	M16 washer
27			500 068 874	2	2	D35/2012
28			500 068 868	2	2	SPB DM=125-5/2012
29			500 068 205	2	2	
30				2	2	key10*8-35
31			500 086 140	4	4	J72
32			500 031 184	4	4	6207 RS
33			500 068 206	2	2	
34			500 030 124	6	6	M16 nut
35			500 068 202	2	2	
36			500 057 229	8	8	M12*30 lock screw
37			500 010 462	10	10	M12 washer
38			500 030 968	10	10	M12 nut
39			500 010 761	6	6	M8*1.25 lubrication nipple
40			500 030 969	4	4	M8 nut
41			500 035 169	8	8	M8 washer
42			500 068 828	2	2	
43			500 068 829	2	2	shaft guard
44			500 063 548	8	8	M8*16 lock screw DIN 603
45			500 068 810	1	1	oikea,right,rechts,höger,droite
45			500 068 841	1		vasen,left,links,vänster,gauche
45			500 068 883		1	vasen,left,links,vänster,gauche
46			500 068 226	8	8	
47			500 068 238	2	2	lifting chain
48			500 068 237	2	2	wire cable
49			500 068 224	2	2	pulley
50			500 040 126	2	2	PM 2530 DX bearing
51			500 068 223	2	2	
52			500 068 222	2	2	
53			500 068 225	2	2	axle
54			500 041 192	2	2	M12*55 hex head
55			500 068 201	2	2	
56			500 030 951	4	4	M10*16 hex head
57			500 010 607	4	4	M10 washer
58			500 066 552	2	2	M24*65 hex head
59			500 057 259	2	2	M24 nut
60			500 041 244	2	2	

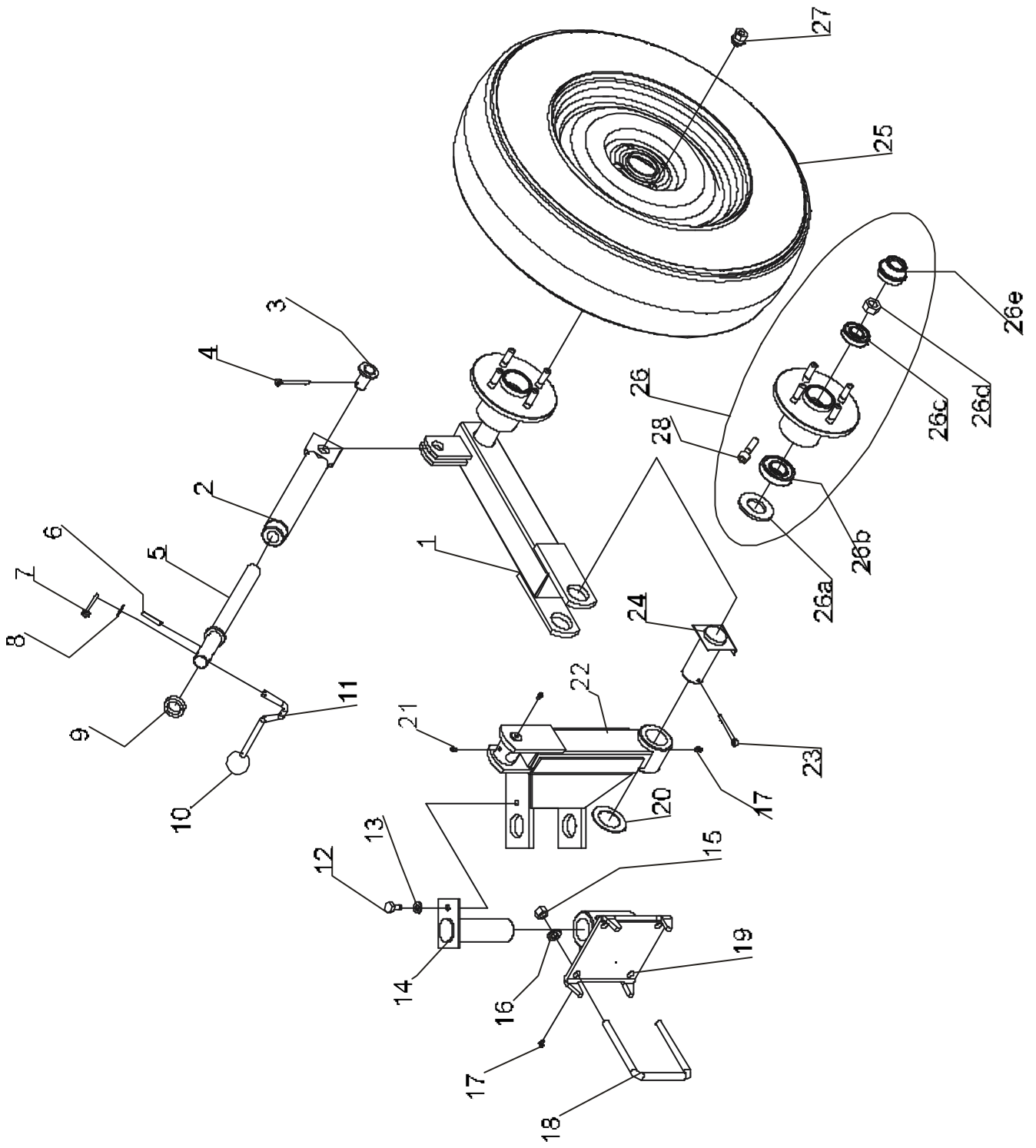


Fig.	Pack	Serial no.	Part no.	Pieces		Notes
				SB4000	SB5200	
1			500 068 235	1		oikea,right,rechts,höger,droite vasen,left links,vänster,gauche
1			500 068 236	1		
1			500 068 257		2	
2			500 058 223	2	2	
3			500 041 109	2	2	
4			500 010 459	2	2	5*32 pin DIN 94
5			500 068 239	2	2	D5*36 spring pin 5*32 cotter pin M10 washer
6			500 031 531	2	2	
7			500 010 463	2	2	
8			500 010 607	2	2	
9			500 056 642	2	2	M10 DIN 319
10			500 020 726	2	2	
11			500 030 558	2	2	
12			500 030 951	2	2	
13			500 010 153	2	2	
14			500 068 231	2	2	M12 lock nut M12 washer M8*1.25 lubrication nipple
15			500 056 448	8	8	
16			500 010 462	8	8	
17			500 010 761	4	4	
18			500 068 229	4	4	
19			500 068 230	2	2	Washer 41*63*1.5 M6 lubrication nipple vasen,left links,vänster,gauche oikea,right,rechts,höger,droite cotter pin 8*56
20			500 052 684	2	2	
21			500 030 263	4	4	
22			500 068 233	1	1	
22			500 068 232	1	1	
23			500 068 855	2	2	175/70*14 assembly sealing kit
24			500 068 234	2	2	
25			500 370 429	2	4	
26			500 068 301	2	2	
26a			500 037 970	2	2	
26b			500 037 966	2	2	no:30206
26c			500 037 967	2	2	no:30204
26d			500 037 969	2	2	M20*1.5
26e			500 037 968	2	2	M12*1.5
27			500 042 624	8	8	
28			500 068 399	8	8	12*1.5*40 10.9

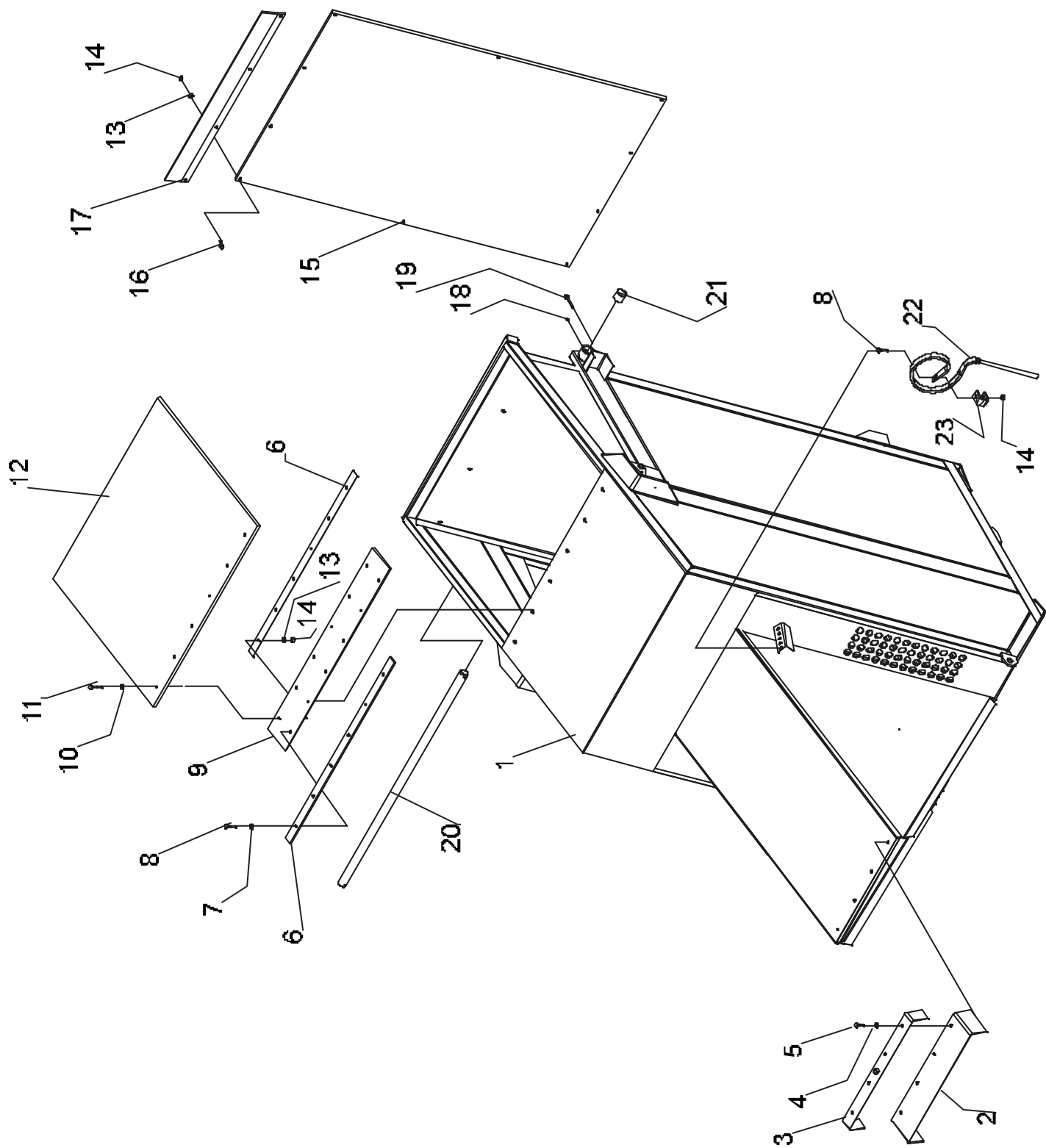
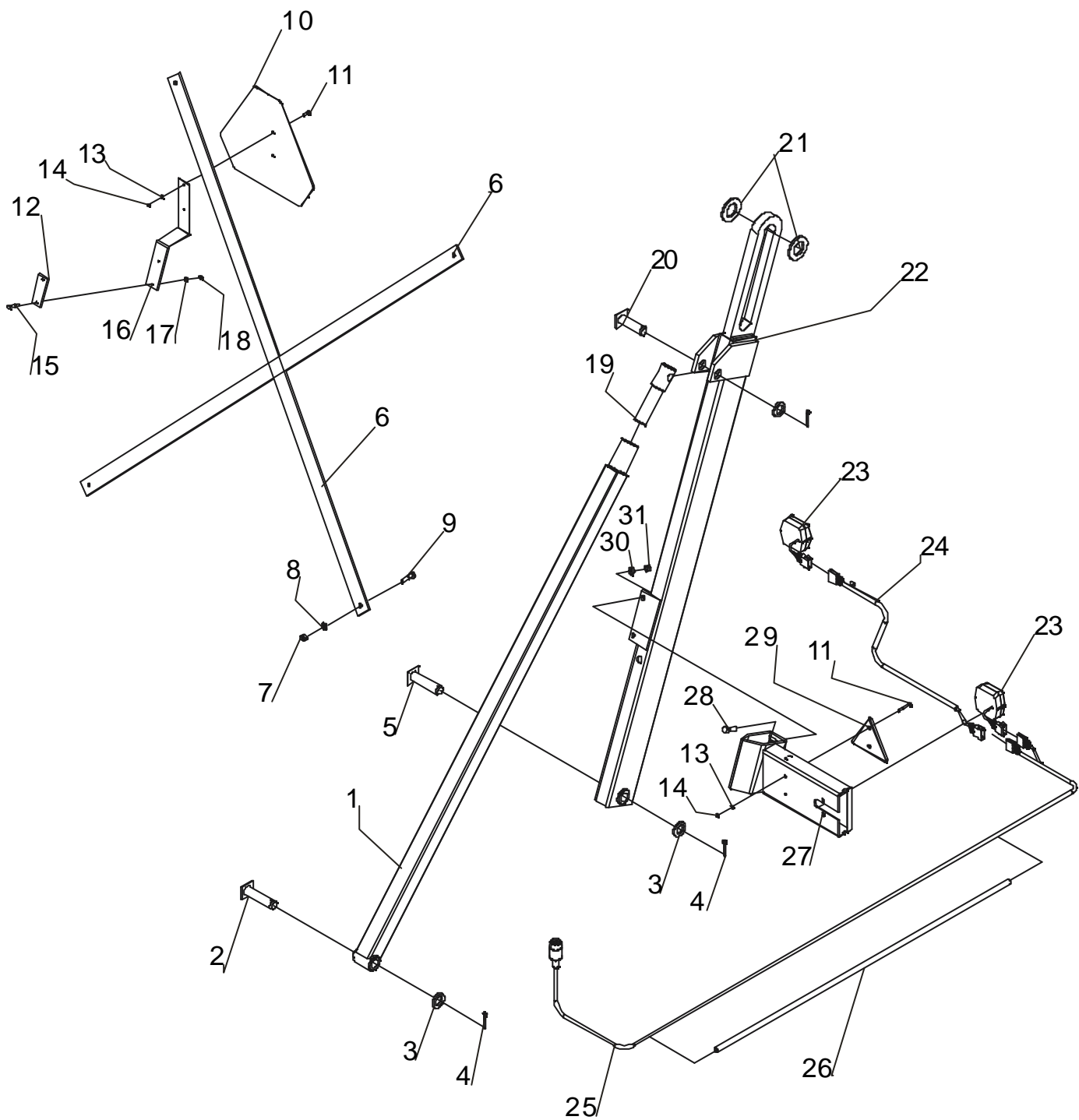
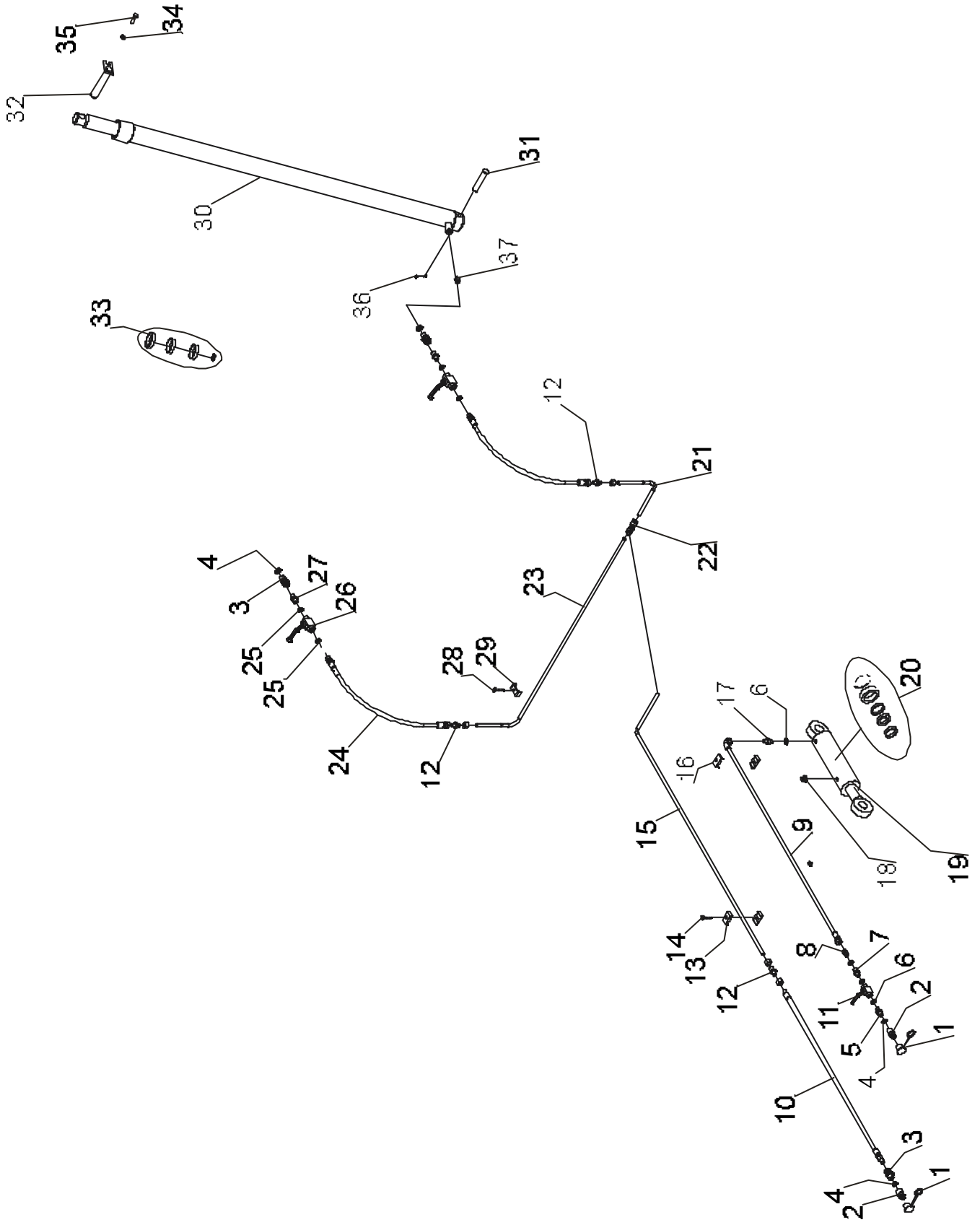


Fig.	Pack	Serial no.	Part no.	Pieces		Notes
				SB4000	SB5200	
1			500 068 720	1	1	
2			500 068 708	1	1	
3			500 068 709	1	1	
4			500 010 607	4	4	M10 washer
5			500 030 958	4	4	M10*25 hex head
6			500 068 713	2	2	
7			500 010 634	6	6	M12 spring washer
8			500 030 522	14	14	M12*35 hex head
9			500 068 707	1	1	rubber plate
10			500 035 554	6	6	D12.5*35*3 washer
11			500 057 233	6	6	M12*60 hex head
12			500 068 706	1	1	covering plate,plywood
13			500 010 462	14	14	M12 washer
14			500 056 448	14	14	M12 lock nut
15			500 068 728	1	1	bottom plate,rubber
16			500 057 543	12	12	M12*40 lock screw DIN603
17			500 068 729	2	2	
18			500 030 263	2	2	M6 lubrication nipple
19			500 050 123	4	4	D10*63 cotter pin
20			500 068 721	1	1	
21			500 068 722	2	2	45/50*40 PDE
22			500 068 401	5	5	Kongskilde nr. 101000831
23			500 068 403	5	5	

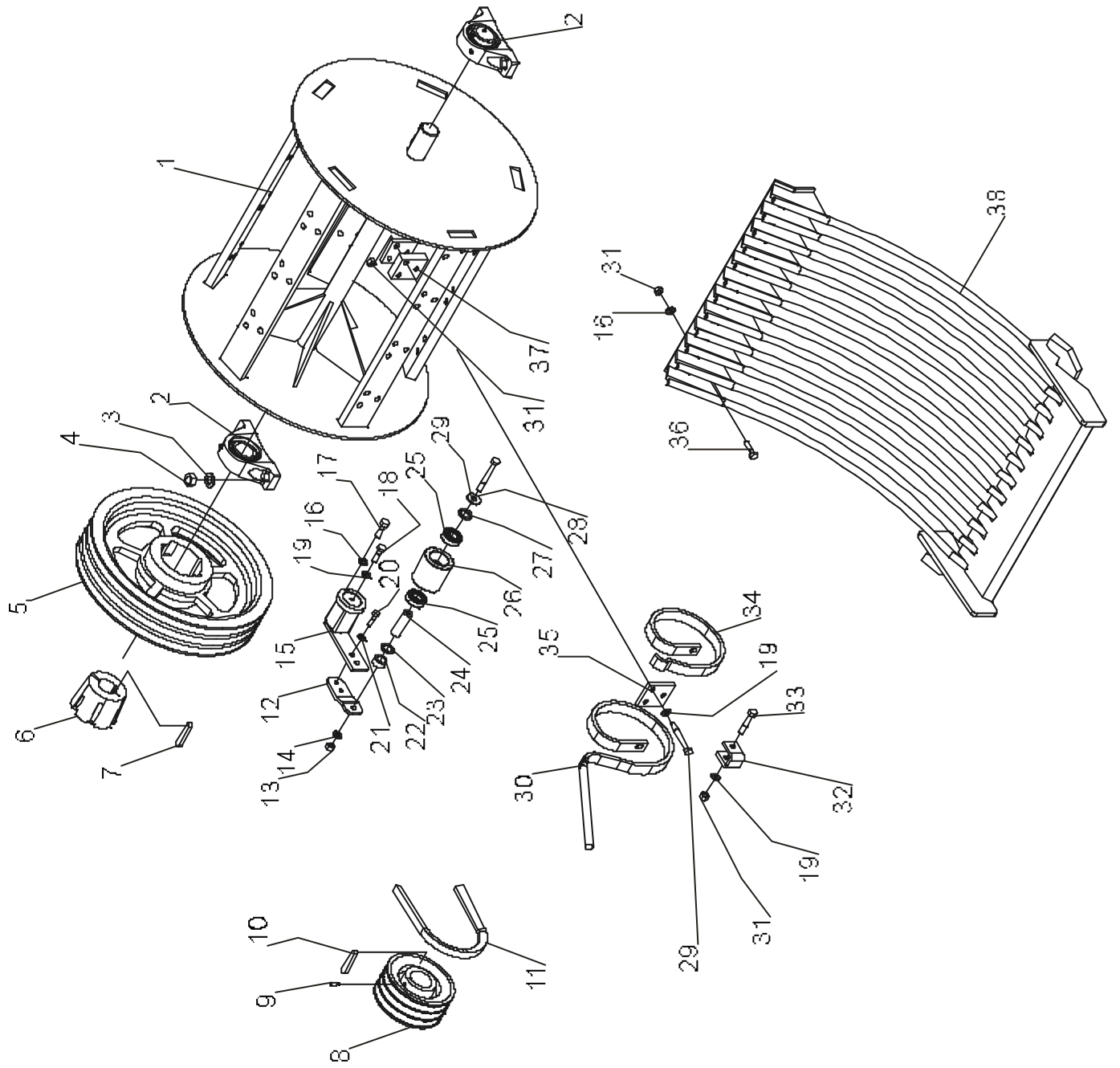




Spare parts list / STONEBEAR. Date: 2008.8.



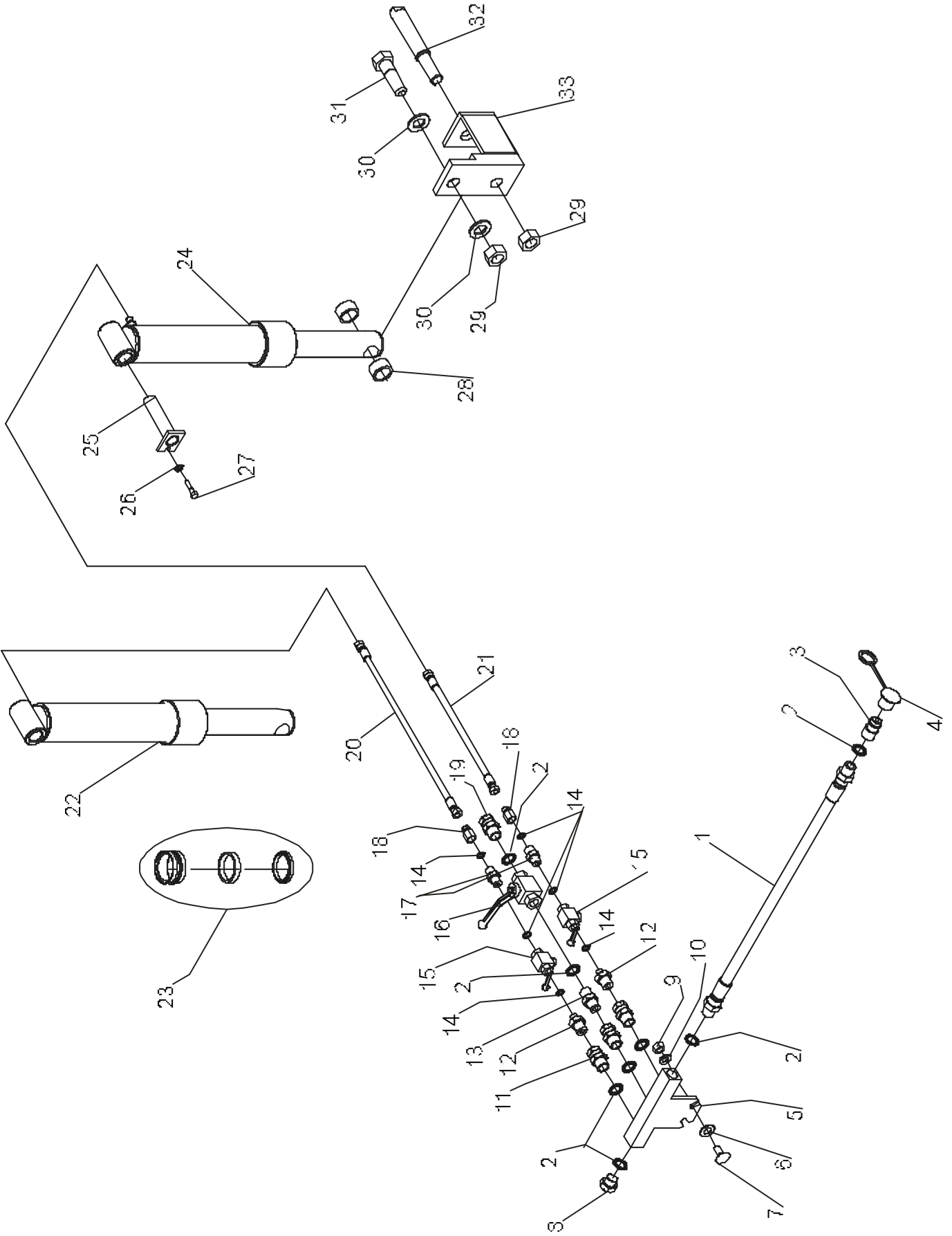
Fig.	Pack	Serial no.	Part no.	Pieces		Notes
				SB4000	SB5200	
1			500 058 656	2	2	
2			500 030 844	2	2	rapid connector 1/2"
3			500 041 836	3	3	R1/2-3/8"
4			500 052 361	4	4	usit 1/2"
5			500 090 812	1	1	1/2-1/4"
6			500 087 830	4	4	usit 1/4"
7			500 090 820	1	1	1/4-1/4"
8			500 042 546	1	1	
9			500 058 686	1	1	1/4"-2800
10			500 068 516	1	1	3/8"-3000
11			500 087 819	1	1	1/4" ball valve
12			500 158 828	3	3	EL 12
13			500 058 668	5	5	double fastener D15
14			500 089 559	10	10	M8*35 hexhead
15			500 068 514	1	1	
16			500 031 594	5	5	double fastener D12
17			500 090 820	1	1	1/4-1/4"
18			500 058 658	1	1	1/4"
19			500 680 513	1	1	
20			500 680 515	1	1	sealing kit
21			500 068 502	1	1	
22			500 031 592	1	1	
23			500 068 501	1	1	
24			500 068 853	2	2	
25			500 061 801	2	2	usit 3/8"
26			500 257 617	1	1	3/8" ball valve
27			500 095 832	1	1	3/8-3/8"
28			500 030 985	2	2	M8*25 hex head
29			500 057 623	1	1	
30			500 680 505	2	2	hydraulic cylinder assembly
31			500 068 139	2	2	
32			500 068 723	2	2	
33			500 680 506	2	2	sealing kit
34			500 010 153	2	2	M10 spring washer
35			500 040 702	2	2	M10*20 hex head
36			500 057 241	2	2	cotter pin D6.3*45
37			500 086 809	2	2	safety valve



Spare parts list /STONEBEAR. Date: 2008.8.



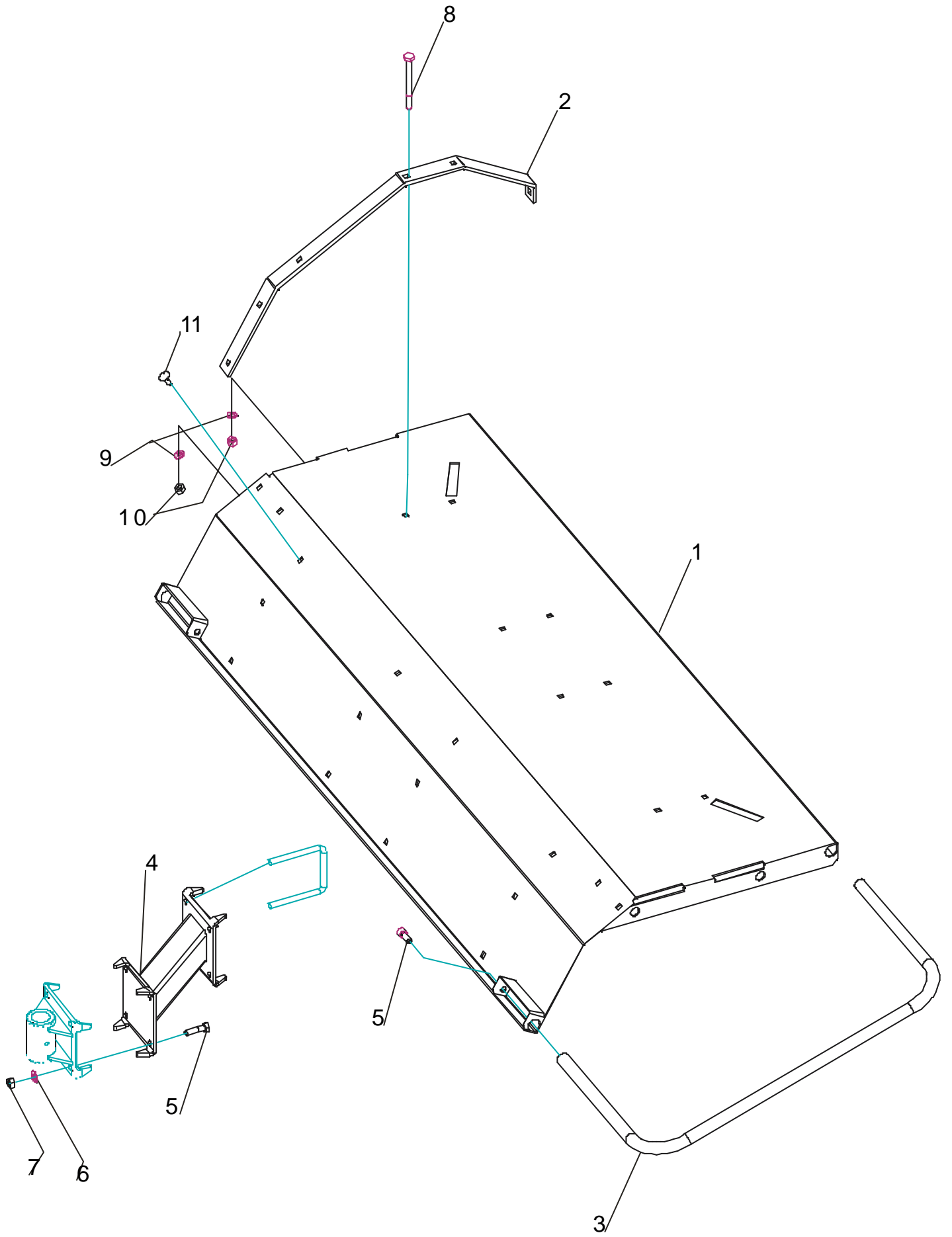
Fig.	Pack	Serial no.	Part no.	Pieces		Notes
				SB4000	SB5200	
1			500 068 409	1		
1			500 068 410		1	
2			500 263 162	2	2	SY 50 TF
3			500 053 942	4	4	M20 washer
4			500 053 463	4	4	M20 lock nut
5			500 068 867	1	1	SPC500-3/3535
6			500 068 806	1	1	D50 3535/50
7				1	1	key 14*9-65
8			500 068 866	1	1	SPC180-3
9			500 013 557	1	1	M8*20 DIN 916
10				1	1	key 12*8-28
11			500 068 817	2	3	SPC3150
12			500 068 876	1	1	
13			500 030 968	1	1	M12 nut
14			500 010 634	1	1	M12 spring washer
15			500 068 818	1	1	
16			500 010 607	1	1	M10 washer
17			500 020 561	1	1	M10*40 hex head
18			500 030 952	1	1	M12*30 hex head
19			500 010 462	59	59	M12 washer
20			500 040 702	2	2	M10*20 hex head
21			500 010 153	2	2	M10 spring washer
22			500 189 501	1	1	
23			500 056 625	1	1	25.5*35*2 washer
24			500 068 834	1	1	
25			500 055 175	2	2	6205-2RS
26			500 068 833	1	1	
27			500 025 110	1	1	26*36*4 washer
28			500 035 554	1	1	M12 washer DIN 9021
29			500 035 244	1	1	M12*100, 10.9 DIN931
30			500 068 401	18	24	Kongskilde nr. 101000831
31			500 056 448	76	94	M12 lock nut
32			500 068 403	18	24	
33			500 068 407	18	24	M12*70 10.9 hex head
34			500 068 402	18	24	
35			500 068 405	36	48	
36			500 030 522	4	4	M12*35 hex head
37			500 068 404	18	24	
38			500 068 621	1	1	28mm option
38			500 068 615	1	1	35mm option
38			500 068 616	1	1	40mm option
38			500 068 617	1	1	50mm option
38			500 068 618	1	1	70mm option



Spare parts list / STONEBEAR. Date: 2008.8.



Fig.	Pack	Serial no.	Part no.	Pieces		Notes
				SB4000	SB5200	
1			500 057 680	1	1	
2			500 052 361	6	6	usit 1/2"
3			500 030 844	1	1	R1/2"
4			500 058 656	1	1	
5			500 068 391	1	1	
6			500 054 141	2	2	18*30*4 washer
7			500 057 229	2	2	M12*30 lock screw
8			500 052 359	1	1	R1/2"
9			500 030 968	2	2	M12 nut
10			500 010 462	2	2	M12 washer
11			500 058 644	4	4	R1/2"
12			500 090 812	2	2	R1/2"-1/4"
13			500 054 826	1	1	R1/2"
14			500 087 830	4	4	usit 1/4"
15			500 087 819	2	2	1/4" ball valve
16			500 030 888	1	1	1/2" ball valve
17			500 090 820	2	2	R1/4"
18			500 042 546	2	2	R1/4"
19			500 041 836	1	1	R1/2"-3/8"
20			500 068 387	1	1	
21			500 089 840	1	1	
22			500 680 379	1	1	oikea,right,rechts,höger,droite
23			500 680 381	2	2	sealing kit
24			500 680 380	1	1	vasen,left,links,vänster,gauche
25			500 068 382	2	2	
26			500 010 350	2	2	M8 spring washer
27			500 057 535	2	2	M8*16 hex head
28			500 057 258	4	4	
29			500 059 593	4	4	M24 lock nut
30			500 030 903	4	4	M24 washer
31			500 042 912	2	2	M24*60 hex head
32			500 068 385	2	2	
33			500 068 384	1	1	vasen,left,links,vänster,gauche
33			500 068 383	1	1	oikea,right,rechts,höger,droite





Oy Kongskilde Juko Ltd
Opintie 4
23100 Mynämäki, Finland
Tel. +358 2 439 3200
Fax +358 2 439 3210
e-mail: [mail@ksf.kongskilde .com](mailto:mail@ksf.kongskilde.com)

5571002032
11.08.2008